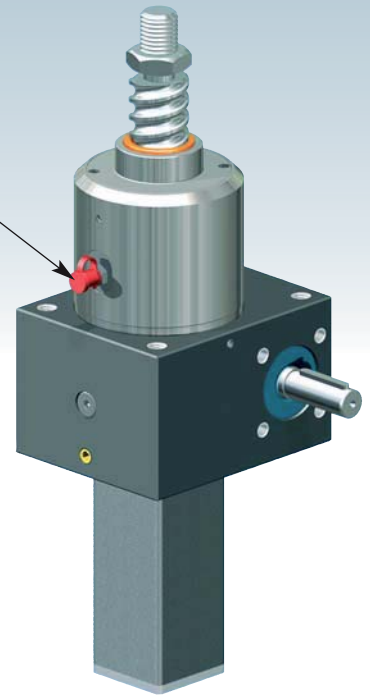
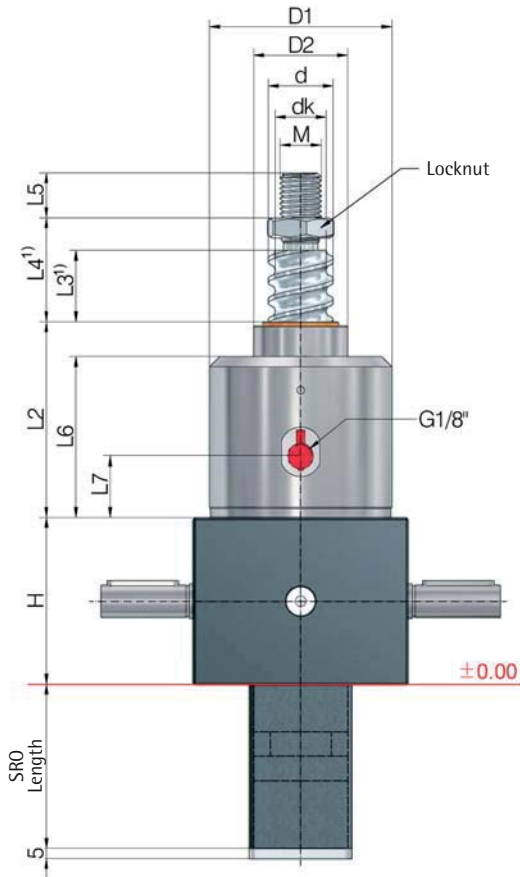




UNIQUE:
Ball screw lubrication
for the S version



GSZ-5 to GSZ-100, KGT-S translating screw



i - further technical information: Page 71
 - see the respective screw jack page for all other dimensions
 - see Section 4 for accessories
 - dimensions on the illustrative diagrams are in mm.
 We reserve the right to make changes.

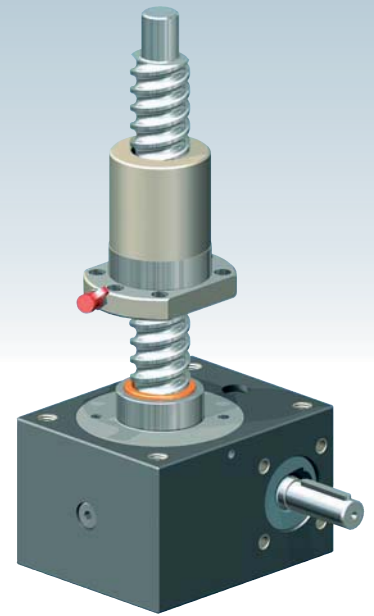
🛒 **Ordering example:**
 GSZ-100-SN-KGT 50x20, C = 112.4 kN
 dynamic load rating C

| Screw jacks | Ball screw KGT | Stroke per drive revolution [mm] | | KGT load rating [kN] | | Dimensions [mm] | | | | | | | | | | | Axial play max ⁵⁾ [mm] | |
|-------------|----------------|----------------------------------|------|----------------------|---------------------------------------|-----------------|------|------|----------------|----------------|----------------|------------------------------|------------------------------|----------------|----------------|----------------|-----------------------------------|------|
| | | SN | SL | dyn. C ²⁾ | stat. C ₀ =C _{0a} | H | d | dk | D ₁ | D ₂ | L ₂ | L ₃ ¹⁾ | L ₄ ¹⁾ | L ₅ | L ₆ | L ₇ | | M |
| GSZ-5 | 16x5 | 1.25 | 0.31 | 9.3 | 13.1 | 62 | 15.5 | 12.9 | 59 | 29 | 66 | 15 | 25 | 19 | 54 | 23 | M12 | 0.08 |
| | 16x10 | 2.50 | 0.63 | 15.4 | 26.5 | 62 | 15.4 | 13.0 | 59 | 29 | 66 | 25 | 35 | 19 | 54 | 23 | M12 | 0.08 |
| GSZ-10 | 25x5 | 1.25 | 0.31 | 12.3 | 22.5 | 74 | 24.5 | 21.9 | 69 | 39 | 85 | 15 | 27 | 20 | 69 | 21 | M14 | 0.08 |
| | 25x10 | 2.50 | 0.63 | 13.2 | 25.3 | 74 | 24.5 | 21.9 | 69 | 39 | 85 | 25 | 37 | 20 | 69 | 21 | M14 | 0.08 |
| | 25x25 | 6.25 | 1.56 | 16.7 | 32.2 | 74 | 24.5 | 22.0 | 69 | 39 | 85 | 60 | 72 | 20 | 69 | 21 | M14 | 0.08 |
| | 25x50 | 12.50 | 3.13 | 15.4 | 31.7 | 74 | 24.1 | 21.5 | 69 | 39 | 85 | 125 | 137 | 20 | 69 | 21 | M14 | 0.15 |
| GSZ-25 | 32x5 | 0.83 | 0.21 | 21.5 | 49.3 | 82 | 31.5 | 28.9 | 89 | 46 | 99 | 15 | 31 | 22 | 82 | 33 | M20 | 0.08 |
| | 32x10 | 1.67 | 0.42 | 33.4 | 54.5 | 82 | 32.7 | 27.3 | 89 | 46 | 99 | 20 | 36 | 22 | 82 | 33 | M20 | 0.08 |
| | 32x20 | 3.33 | 0.83 | 29.7 | 59.8 | 82 | 31.7 | 27.9 | 89 | 46 | 99 | 35 | 51 | 22 | 82 | 33 | M20 | 0.08 |
| | 32x40 | 6.67 | 1.67 | 14.9 | 32.4 | 82 | 30.9 | 28.3 | 89 | 46 | 99 | 70 | 86 | 22 | 82 | 33 | M20 | 0.08 |
| GSZ-50 | 40x5 | 0.71 | 0.18 | 23.8 | 63.1 | 116 | 39.5 | 36.9 | 125 | 60 | 93 | 15 | 39 | 29 | 74 | 17 | M30 | 0.08 |
| | 40x10 | 1.43 | 0.36 | 38 | 69.1 | 116 | 39.5 | 34.1 | 125 | 60 | 93 | 15 | 39 | 29 | 74 | 17 | M30 | 0.08 |
| | 40x20 | 2.86 | 0.72 | 33.3 | 76.1 | 116 | 39.7 | 35.9 | 125 | 60 | 93 | 30 | 54 | 29 | 74 | 17 | M30 | 0.08 |
| | 40x40 | 5.71 | 1.43 | 35 | 101.9 | 116 | 38.9 | 36.3 | 125 | 60 | 93 | 60 | 84 | 29 | 74 | 17 | M30 | 0.08 |
| GSZ-100 | 50x10 | 1.11 | 0.28 | 68.7 | 155.8 | 160 | 49.5 | 44.1 | 148 | 85 | 112 | 20 | 48 | 48 | 82 | 19 | M36 | 0.08 |
| | 50x20 | 2.22 | 0.56 | 60 | 136.3 | 160 | 49.5 | 44.1 | 148 | 85 | 112 | 40 | 68 | 48 | 82 | 19 | M36 | 0.08 |
| | 50x10 | 1.11 | 0.28 | 112.1 | 338.5 | 160 | 50 | 43.6 | 148 | 85 | 148 | 20 | 48 | 48 | 118 | 19 | M36 | 0.03 |
| | 50x20 | 2.22 | 0.56 | 112.4 | 214.7 | 160 | 50 | 41.1 | 148 | 85 | 148 | 40 | 68 | 48 | 118 | 19 | M36 | 0.03 |
| | 50x40 | 4.44 | 1.11 | 84.7 | 143.1 | 160 | 50 | 41.1 | 148 | 85 | 148 | 80 | 108 | 48 | 118 | 19 | M36 | 0.03 |

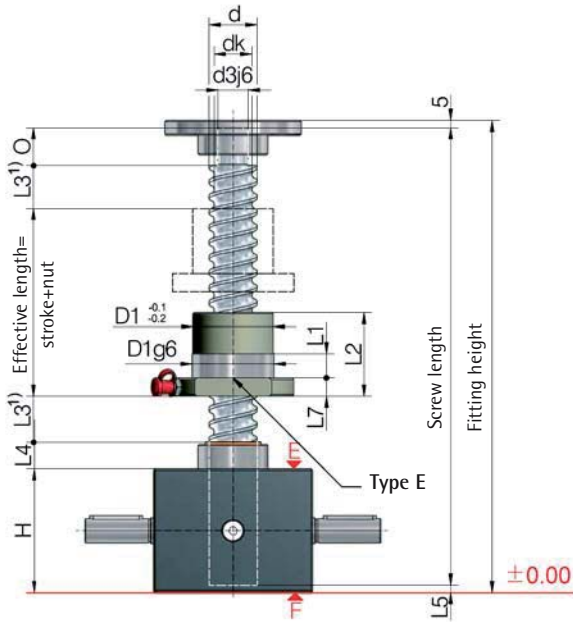
¹⁾ Depending on the control system and drive, the dimensions L₃ and L₄ can be reduced at your own discretion.
 An extension may be required if a bellows or spiral spring is fitted

²⁾ Dynamic load rating to DIN 69051 part 4 draft 1989.

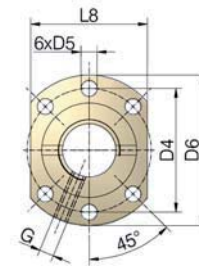
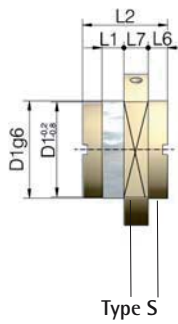
⁵⁾ Reduced play 0.02 mm available on request.



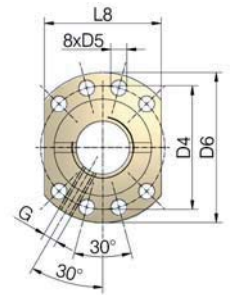
GSZ-2 to GSZ-100, KGT-R rotating screw



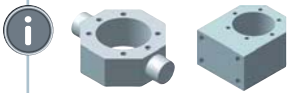
Position of the flange nut:
 G = flange gearbox side
 (as shown)
 S = flange screw side



Hole pattern 1 to DIN 69051



Hole pattern 2 to DIN 69051



Adapter for KGT
 Dimension sheet on request

An increased screw (such as Z-10-RN with screw 32x10) can also be used for the rotating version.



Ordering example:

GSZ-100-RN-KGT 50x20, C = 112.4 kN - G
 dynamic load rating C
 Nut flange
 G: flange gearbox side
 S: flange screw side

| Screw jacks | Ball screw KGT | Stroke per drive revolution [mm] | | KGT load rating [kN] | | Nut Type | Hole pattern | Dimensions [mm] | | | | | | | | | | | | | | | | | Lubrication hole | Axial play max ⁵⁾ [mm] |
|---------------------|---------------------|----------------------------------|------|----------------------|---------------------------------------|----------|-----------------|-----------------|------|----------------|-----|------------------|-------------------|-------------------|-------------------|-------------------|----------------|----------------|------------------------------|----------------|----------------|----------------|----------------|-----------------|------------------|-----------------------------------|
| | | RN | RL | dyn. C ²⁾ | stat. C ₀ =C _{0a} | | | d | dk | d ₃ | O | H | D ₁ | D ₄ | D ₅ | D ₆ | L ₁ | L ₂ | L ₃ ¹⁾ | L ₄ | L ₅ | L ₆ | L ₇ | L ₈ | | |
| GSZ-2 | 16x5 | 1.25 | 0.31 | 9.3 | 13.1 | E | 1 | 15.5 | 12.9 | 10 | 12 | 50 | 28 | 38 | 5.5 | 48 | 10 | 42 | 15 | 11 | 3 | - | 10 | 40 | M6 | 0.08 |
| | 16x10 | 2.50 | 0.63 | 15.4 | 26.5 | E | 1 | 15.4 | 13.0 | 10 | 12 | 50 | 28 | 38 | 5.5 | 48 | 10 | 55 | 25 | 11 | 3 | - | 10 | 40 | M6 | 0.08 |
| GSZ-5 | 16x5 | 1.25 | 0.31 | 9.3 | 13.1 | E | 1 | 15.5 | 12.9 | 12 | 15 | 62 | 28 | 38 | 5.5 | 48 | 10 | 42 | 15 | 12 | 8 | - | 10 | 40 | M6 | 0.08 |
| | 16x10 | 2.50 | 0.63 | 15.4 | 26.5 | E | 1 | 15.4 | 13.0 | 12 | 15 | 62 | 28 | 38 | 5.5 | 48 | 10 | 55 | 25 | 12 | 8 | - | 10 | 40 | M6 | 0.08 |
| GSZ-10 | 25x5 | 1.25 | 0.31 | 12.3 | 22.5 | E | 1 | 24.5 | 21.9 | 15 | 20 | 74 | 40 | 51 | 6.6 | 62 | 10 | 42 | 15 | 16 | 8 | - | 10 | 48 | M6 | 0.08 |
| | 25x10 | 2.50 | 0.63 | 13.2 | 25.3 | E | 1 | 24.5 | 21.9 | 15 | 20 | 74 | 40 | 51 | 6.6 | 62 | 16 | 55 | 25 | 16 | 8 | - | 10 | 48 | M6 | 0.08 |
| | 25x25 ³⁾ | 6.25 | 1.56 | 16.7 | 32.2 | S | 1 | 24.5 | 22.0 | 15 | 20 | 74 | 40 | 51 | 6.6 | 62 | 9 | 35 | 60 | 16 | 8 | 8 | 10 | - ³⁾ | M6 | 0.08 |
| | 25x50 | 12.50 | 3.14 | 15.4 | 31.7 | S | 1 | 24.1 | 21.5 | 15 | 20 | 74 | 40 | 51 | 6.6 | 62 | 10 | 58 | 125 | 16 | 8 | 10 | 10 | 48 | M6 | 0.15 |
| GSZ-25 | 32x5 | 0.83 | 0.21 | 21.5 | 49.3 | E | 1 | 31.5 | 28.9 | 20 | 25 | 82 | 50 | 65 | 9.0 | 80 | 10 | 55 | 15 | 17 | 5 | - | 12 | 62 | M6 | 0.08 |
| | 32x10 | 1.67 | 0.42 | 33.4 | 54.5 | E | 1 | 32.7 | 27.3 | 20 | 25 | 82 | 53 ⁴⁾ | 65 | 9.0 | 80 | 16 | 69 | 20 | 17 | 5 | - | 12 | 62 | M8x1 | 0.08 |
| | 32x20 | 3.33 | 0.83 | 29.7 | 59.8 | E | 1 | 31.7 | 27.9 | 20 | 25 | 82 | 53 ⁴⁾ | 65 | 9.0 | 80 | 16 | 80 | 35 | 17 | 5 | - | 12 | 62 | M6 | 0.08 |
| | 32x40 ³⁾ | 6.67 | 1.67 | 14.9 | 32.4 | S | N ⁴⁾ | 30.9 | 36.3 | 20 | 25 | 82 | 53 ⁴⁾ | 68 ⁴⁾ | 7.0 ⁶⁾ | 80 | 14 | 45 | 70 | 17 | 5 | 7.5 | 16 | - ³⁾ | M6 | 0.08 |
| GSZ-50 | 40x5 | 0.71 | 0.18 | 23.8 | 63.1 | E | 2 | 39.5 | 36.9 | 25 | 30 | 116 | 63 | 78 | 9 | 93 | 10 | 57 | 15 | 19 | 7 | - | 14 | 70 | M6 | 0.08 |
| | 40x10 | 1.43 | 0.36 | 38 | 69.1 | E | 2 | 39.5 | 34.1 | 25 | 30 | 116 | 63 | 78 | 9 | 93 | 16 | 71 | 15 | 19 | 7 | - | 14 | 70 | M8x1 | 0.08 |
| | 40x20 | 2.86 | 0.72 | 33.3 | 76.1 | E | 2 | 39.7 | 35.9 | 25 | 30 | 116 | 63 | 78 | 9 | 93 | 16 | 80 | 30 | 19 | 7 | - | 14 | 70 | M8x1 | 0.08 |
| | 40x40 | 5.71 | 1.43 | 35 | 101.9 | S | 2 | 38.9 | 36.3 | 25 | 30 | 116 | 63 | 78 | 9 | 93 | 16 | 85 | 60 | 19 | 7 | 7.5 | 14 | - ³⁾ | M8x1 | 0.08 |
| GSZ-100 | 50x10 | 1.11 | 0.28 | 68.7 | 155.8 | E | 2 | 49.5 | 44.1 | 40 | 45 | 160 | 75 | 93 | 11 | 110 | 16 | 95 | 20 | 30 | 8 | - | 16 | 85 | M8x1 | 0.08 |
| | 50x20 | 2.22 | 0.56 | 60 | 136.3 | E | 2 | 49.5 | 44.1 | 40 | 45 | 160 | 85 ⁴⁾ | 103 ⁶⁾ | 11 | 125 ⁶⁾ | 22 | 95 | 40 | 30 | 8 | - | 18 | 95 | M8x1 | 0.08 |
| | 50x10 | 1.11 | 0.28 | 112.1 | 338.5 | E | 2 | 50 | 43.6 | 40 | 45 | 160 | 75 | 93 | 11 | 110 | 16 | 107 | 20 | 30 | 8 | - | 16 | 85 | M8x1 | 0.03 |
| | 50x20 | 2.22 | 0.56 | 112.4 | 214.7 | E | 2 | 50 | 41.1 | 40 | 45 | 160 | 85 ⁴⁾ | 103 ⁶⁾ | 11 | 120 ⁶⁾ | 16 | 125 | 40 | 30 | 8 | - | 16 | 95 | M8x1 | 0.03 |
| | 50x40 | 4.44 | 1.11 | 84.7 | 143.1 | E | 2 | 50 | 41.1 | 40 | 45 | 160 | 85 ⁴⁾ | 103 ⁶⁾ | 11 | 120 ⁶⁾ | 16 | 125 | 80 | 30 | 8 | - | 16 | 95 | M8x1 | 0.03 |
| 50x50 ⁴⁾ | 5.56 | 1.39 | 84.7 | 143.1 | E | 2 | 50 | 41.1 | 40 | 45 | 160 | 85 ⁴⁾ | 103 ⁶⁾ | 11 | 120 ⁶⁾ | 16 | 145 | 100 | 30 | 8 | - | 16 | 95 | M8x1 | 0.03 | |

¹⁾ An extension may be required if a bellows or spiral spring is fitted.

²⁾ Dynamic load rating to DIN 69051 part 4 draft 1989.

³⁾ Round flange.

⁴⁾ Non-preferred design.

⁵⁾ Reduced play 0.02 mm available on request.

⁶⁾ Not to DIN 69051.