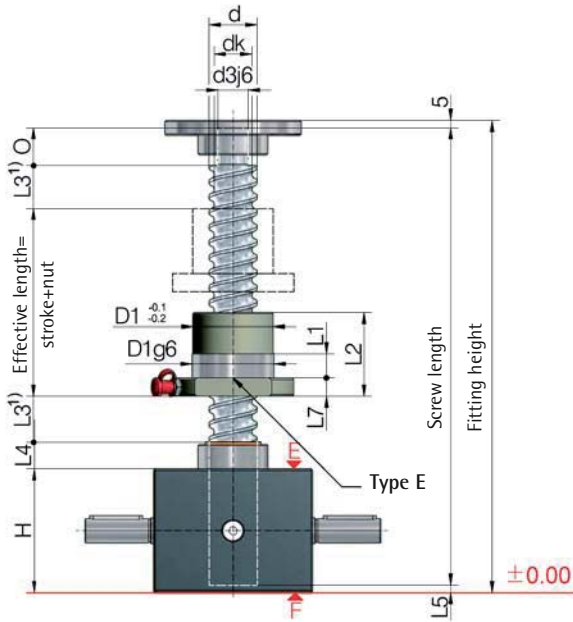
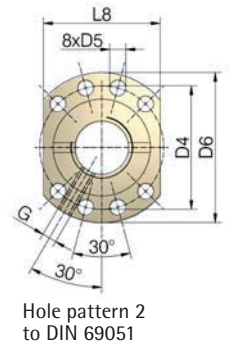
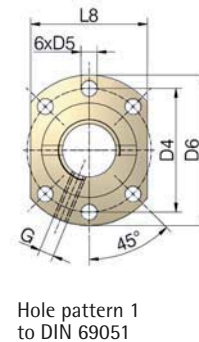
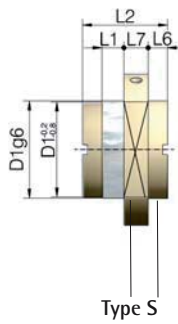


GSZ-2 to GSZ-100, KGT-R rotating screw



Position of the flange nut:  
 G = flange gearbox side  
 (as shown)  
 S = flange screw side



**Adapter for KGT**  
 Dimension sheet on request

An increased screw (such as Z-10-RN with screw 32x10) can also be used for the rotating version.

**Ordering example:**  
**GSZ-100-RN-KGT 50x20, C = 112.4 kN - G**  
 dynamic load rating C  
 Nut flange  
 G: flange gearbox side  
 S: flange screw side

Screw jacks	Ball screw KGT	Stroke per drive revolution [mm]		KGT load rating [kN]		Nut Type	Hole pattern	Dimensions [mm]																	Lubrication hole	Axial play max <sup>5)</sup> [mm]
		RN	RL	dyn. C <sup>2)</sup>	stat. C <sub>0</sub> =C <sub>0a</sub>			d	dk	d <sub>3</sub>	O	H	D <sub>1</sub>	D <sub>4</sub>	D <sub>5</sub>	D <sub>6</sub>	L <sub>1</sub>	L <sub>2</sub>	L <sub>3</sub> <sup>1)</sup>	L <sub>4</sub>	L <sub>5</sub>	L <sub>6</sub>	L <sub>7</sub>	L <sub>8</sub>		
GSZ-2	16x5	1.25	0.31	9.3	13.1	E 1	1	15.5	12.9	10	12	50	28	38	5.5	48	10	42	15	11	3	-	10	40	M6	0.08
	16x10	2.50	0.63	15.4	26.5	E 1	1	15.4	13.0	10	12	50	28	38	5.5	48	10	55	25	11	3	-	10	40	M6	0.08
GSZ-5	16x5	1.25	0.31	9.3	13.1	E 1	1	15.5	12.9	12	15	62	28	38	5.5	48	10	42	15	12	8	-	10	40	M6	0.08
	16x10	2.50	0.63	15.4	26.5	E 1	1	15.4	13.0	12	15	62	28	38	5.5	48	10	55	25	12	8	-	10	40	M6	0.08
GSZ-10	25x5	1.25	0.31	12.3	22.5	E 1	1	24.5	21.9	15	20	74	40	51	6.6	62	10	42	15	16	8	-	10	48	M6	0.08
	25x10	2.50	0.63	13.2	25.3	E 1	1	24.5	21.9	15	20	74	40	51	6.6	62	16	55	25	16	8	-	10	48	M6	0.08
	25x25 <sup>3)</sup>	6.25	1.56	16.7	32.2	S 1	1	24.5	22.0	15	20	74	40	51	6.6	62	9	35	60	16	8	8	10	- <sup>3)</sup>	M6	0.08
	25x50	12.50	3.14	15.4	31.7	S 1	1	24.1	21.5	15	20	74	40	51	6.6	62	10	58	125	16	8	10	10	48	M6	0.15
GSZ-25	32x5	0.83	0.21	21.5	49.3	E 1	1	31.5	28.9	20	25	82	50	65	9.0	80	10	55	15	17	5	-	12	62	M6	0.08
	32x10	1.67	0.42	33.4	54.5	E 1	1	32.7	27.3	20	25	82	53 <sup>4)</sup>	65	9.0	80	16	69	20	17	5	-	12	62	M8x1	0.08
	32x20	3.33	0.83	29.7	59.8	E 1	1	31.7	27.9	20	25	82	53 <sup>4)</sup>	65	9.0	80	16	80	35	17	5	-	12	62	M6	0.08
	32x40 <sup>3)</sup>	6.67	1.67	14.9	32.4	S N <sup>4)</sup>	1	30.9	28.3	20	25	82	53 <sup>4)</sup>	68 <sup>4)</sup>	7.0 <sup>6)</sup>	80	14	45	70	17	5	7.5	16	- <sup>3)</sup>	M6	0.08
GSZ-50	40x5	0.71	0.18	23.8	63.1	E 2	2	39.5	36.9	25	30	116	63	78	9	93	10	57	15	19	7	-	14	70	M6	0.08
	40x10	1.43	0.36	38	69.1	E 2	2	39.5	34.1	25	30	116	63	78	9	93	16	71	15	19	7	-	14	70	M8x1	0.08
	40x20	2.86	0.72	33.3	76.1	E 2	2	39.7	35.9	25	30	116	63	78	9	93	16	80	30	19	7	-	14	70	M8x1	0.08
	40x40	5.71	1.43	35	101.9	S 2	2	38.9	36.3	25	30	116	63	78	9	93	16	85	60	19	7	7.5	14	- <sup>3)</sup>	M8x1	0.08
GSZ-100	50x10	1.11	0.28	68.7	155.8	E 2	2	49.5	44.1	40	45	160	75	93	11	110	16	95	20	30	8	-	16	85	M8x1	0.08
	50x20	2.22	0.56	60	136.3	E 2	2	49.5	44.1	40	45	160	85 <sup>4)</sup>	103 <sup>6)</sup>	11	125 <sup>6)</sup>	22	95	40	30	8	-	18	95	M8x1	0.08
	50x10	1.11	0.28	112.1	338.5	E 2	2	50	43.6	40	45	160	75	93	11	110	16	107	20	30	8	-	16	85	M8x1	0.03
	50x20	2.22	0.56	112.4	214.7	E 2	2	50	41.1	40	45	160	85 <sup>4)</sup>	103 <sup>6)</sup>	11	120 <sup>6)</sup>	16	125	40	30	8	-	16	95	M8x1	0.03
	50x40	4.44	1.11	84.7	143.1	E 2	2	50	41.1	40	45	160	85 <sup>4)</sup>	103 <sup>6)</sup>	11	120 <sup>6)</sup>	16	125	80	30	8	-	16	95	M8x1	0.03
	50x50 <sup>4)</sup>	5.56	1.39	84.7	143.1	E 2	2	50	41.1	40	45	160	85 <sup>4)</sup>	103 <sup>6)</sup>	11	120 <sup>6)</sup>	16	145	100	30	8	-	16	95	M8x1	0.03

<sup>1)</sup> An extension may be required if a bellows or spiral spring is fitted.  
<sup>2)</sup> Dynamic load rating to DIN 69051 part 4 draft 1989.  
<sup>3)</sup> Round flange.

<sup>4)</sup> Non-preferred design.  
<sup>5)</sup> Reduced play 0.02 mm available on request.  
<sup>6)</sup> Not to DIN 69051.