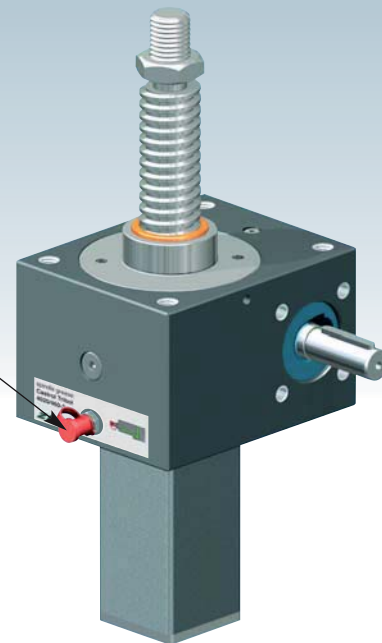
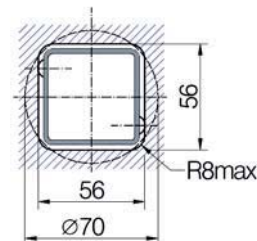
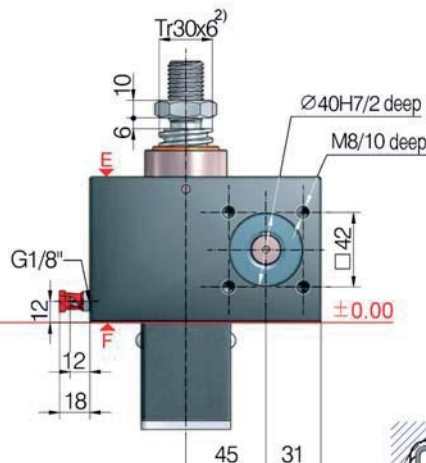
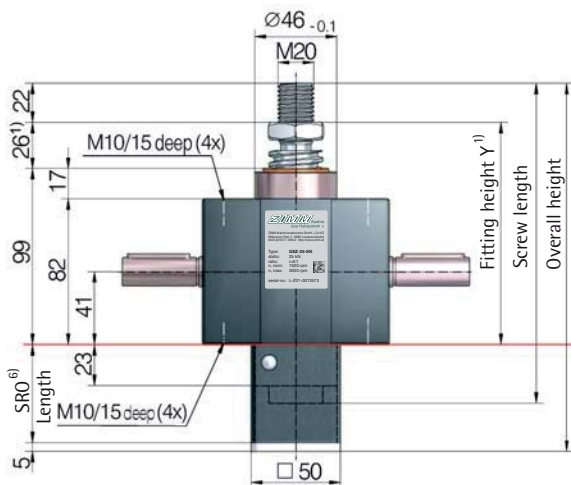




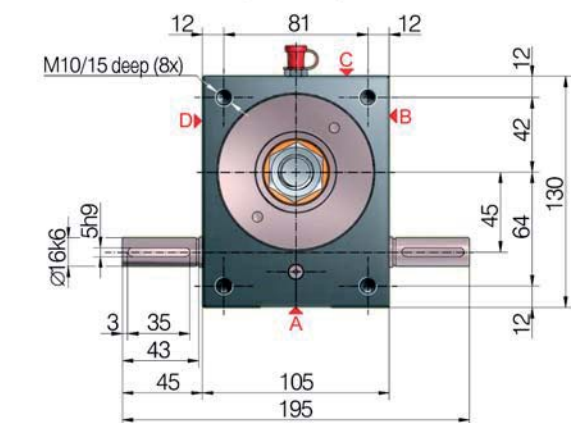
UNIQUE:
Screw lubrication
during operation



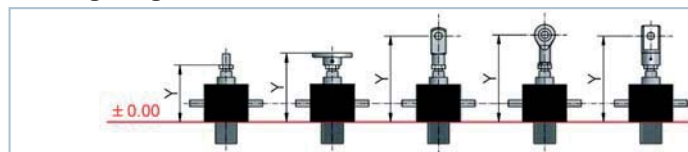
GSZ-25-S translating screw 25 kN



Opening for
protective tube SR0,
square 56x56 or
round Ø 70



¹⁾Fitting height "Y" for 0-stroke, with Tr 30x6 screw



All dimensions in mm

Bellocs FB	Y	Y	Y	Y	Y
without bellocs FB	125	148	205	202	205
Z-25-FB-300	200	192	280	277	249
Z-25-FB-700	230	222	310	307	279
Z-25-FB-1000	250	242	330	327	299

*with bellows fixing ring Z-25-FBR

⁶⁾Protective tube length SR0 with Tr 30x6 screw

Without escape/ rotation protection	Escape/ rotation protection	Rotation protection, with limit switch set ES	Rotation protection with ES and KAR*
53+stroke	73+stroke	125+stroke	149+stroke

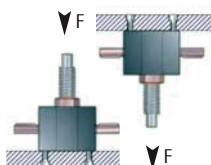
*Hinged bearing plate KAR, fitted on face F (below).

Standard ratios

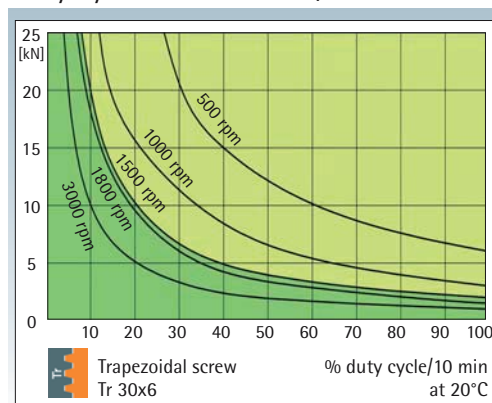
Type	Version	Speed	Standard screw ²⁾	i	Stroke per drive shaft rotation ⁵⁾
GSZ-25-SN	Translating	Normal	Tr 30x6	6:1	1.00 mm
GSZ-25-SL	screw	Low speed		24:1	0.25 mm
GSZ-25-RN	Rotating	Normal	Tr 30x6	6:1	1.00 mm
GSZ-25-RL	screw	Low speed		24:1	0.25 mm

Screw jack mounting

- max. load: 25 kN compressive and tensile load
- Screw: M10, strength class 8.8
- Screw-in depth: 12 to 15 mm
- Tightening torque: 27 Nm
- Screw locking: with Loctite 243



Duty cycle thermal limit, for S+R



These curves are for guidance under standard industrial conditions (ambient temperature etc.) and correct maintenance (lubrication etc.). The max. input drive torques for optimum service life are at the right page - technical data (1500 rpm)

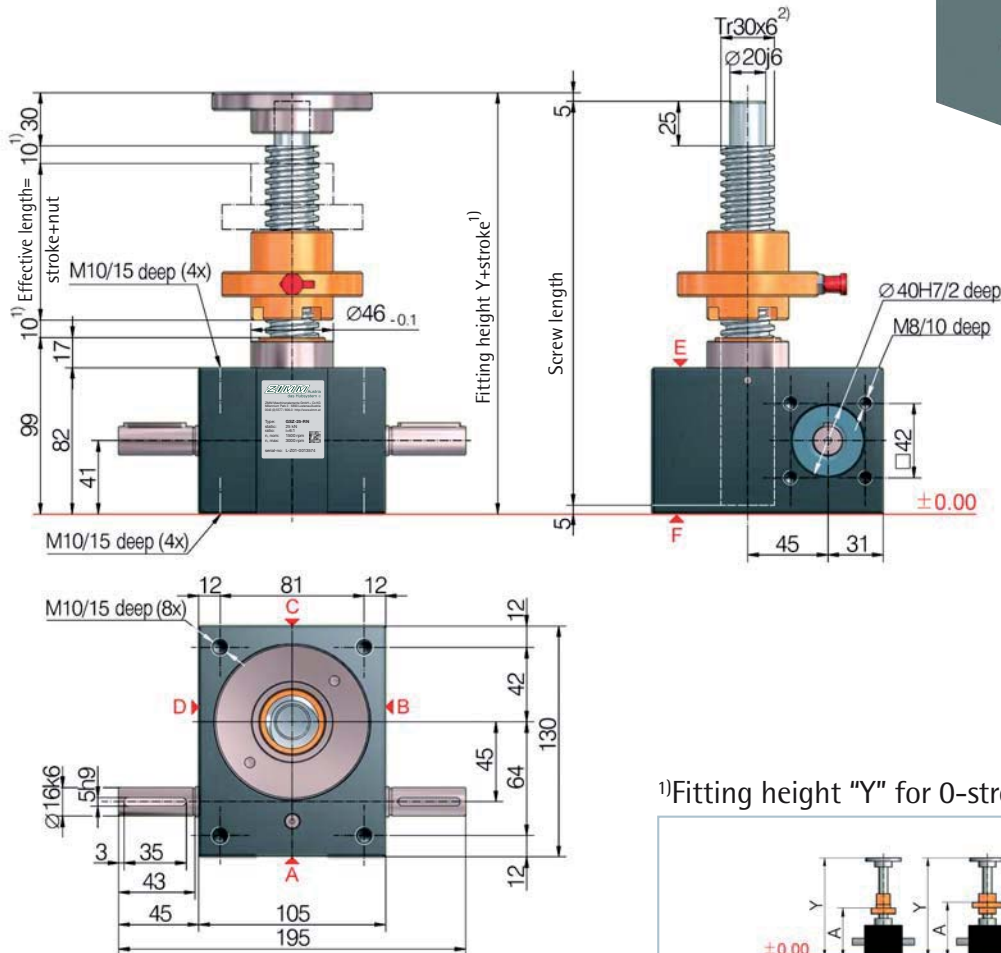
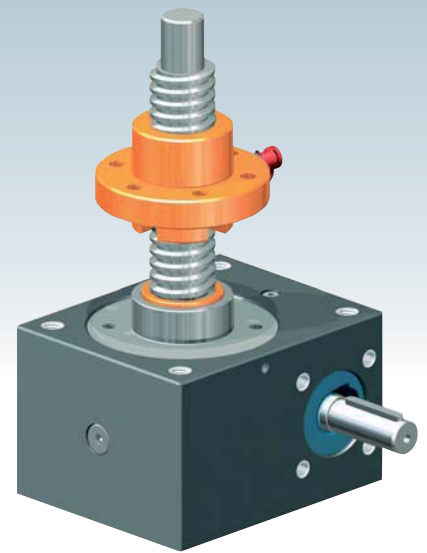
KGK:
% duty cycle
2 times to
4 times higher

Trapezoidal screw

Tr



GSZ-25-R rotating screw 25 kN



¹⁾Fitting height "Y" for 0-stroke, with Tr 30x6 screw

All dimensions in mm	Flange nut FM	Duplex nut DM	Duplex nut DM with SIFA	Self-aligning nut PM	Greasless nut FFDM
Bellows FB	Y/A	Y/A	Y/A	Y/A	Y/A
without bellows FB	195/123	199/136	244/181	244/177	208/145
2x Z-25-FB-300	-	314/196	353/235	359/237	325/207
2x Z-25-FB-700	-	374/226	413/265	419/267	385/237
2x Z-25-FB-1000	-	414/246	453/285	459/287	425/257

Detailed instructions for determining the length can be found in Section 8

25 kN

Technical data series GSZ-25-S / GSZ-25-R

max. compressive/tensile force, static	- 25 kN (2.5 t)
max. compressive/tensile force, dynamic	- see duty cycle curves
Nominal speed	- 1500 rpm
max. drive shaft speed	- 3000 rpm (depending on the load and duty cycle)
Screw size standard	- Tr 30x6 ²⁾
Gear ratio	- 6:1 (N) / 24:1 (L)
Housing material	- aluminium, corrosion-resistant
Worm shaft	- steel, case-hardened, ground
Weight of screw jack body	- 3.8 kg
Weight of screw/m	- 4.5 kg
Gearbox lubrication	- synthetic fluid grease
Screw lubrication	- grease lubrication
Gearbox operating temperature	- max. 60°C, higher on request
Moment of inertia	- N: 1.449 kg cm ² / L: 0.589 kg cm ²
Input torque (at 1500 rpm)	- max. 18 Nm (N) / max. 10 Nm (L)
Drive-through torque	- max. 108 Nm

Drive torque M_6 (Nm)	- F (kN) x 0.63 ³⁾⁵⁾ (N-normal) - F (kN) x 0.20 ³⁾⁵⁾ (L-low speed)
Breakaway torque	- Drive torque M_6 x 1.5
Idling torque ⁴⁾ M_L (Nm)	- 0.36 (N-normal) / 0.26 (L-low speed)

Between gearbox and nut or nut and end of thread, provide for a safety distance of (minimum) 10 mm!

See Section 7 for the checklist.

Important information

- 1) - extension if a bellows or spiral spring is fitted: see the table or Section 8
- 2) - Tr 30x6 is standard, also available: double-pitch, stainless steel, left-handed, increased screw Tr 40x7 (only for the R version)
- 3) - factor includes efficiency, ratio and 30% safety
- 4) - at 20°C, can be higher when new
- 5) - for a 6 mm screw pitch