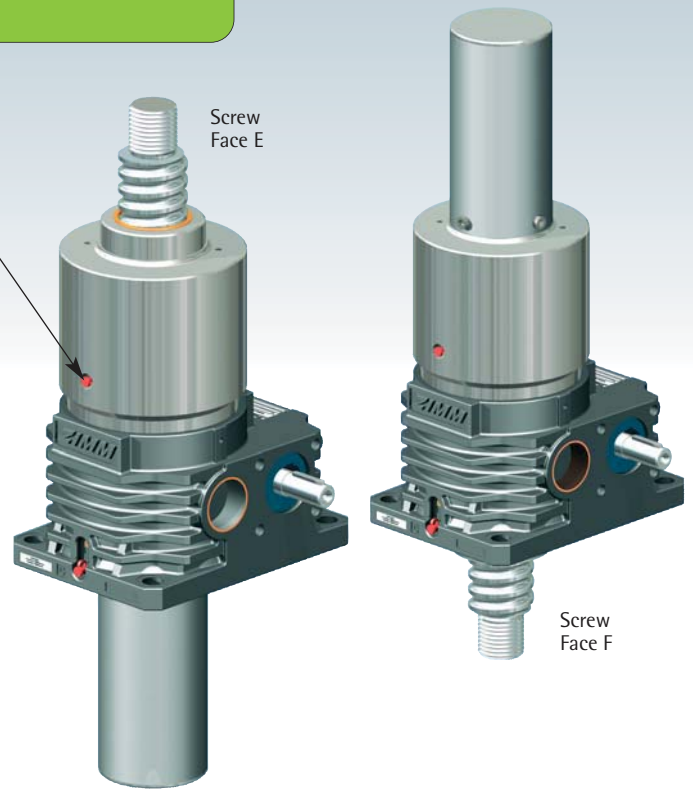
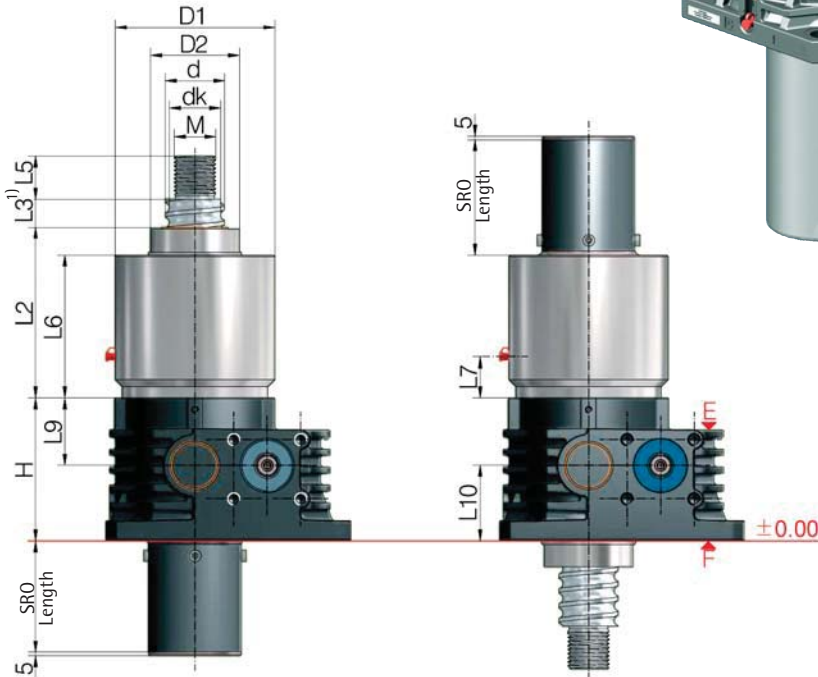




UNIQUE:
Ball screw lubrication
for the S version



Z-250 and Z-350, KGT-S
Translating screw



i - further technical information: Page 41
 - see the respective screw jack page for all other dimensions
 - see Section 4 for accessories
 - dimensions on the illustrative diagrams are in mm.
 We reserve the right to make changes.

Shopping cart icon **Ordering example:**
Z-250-SN-E-KGT 80x40, C = 251.2 kN
 Screw face E or F
 dynamic load rating C

Screw jacks	Ball screw KGT	Stroke per drive revolution [mm]		KGT load rating [kN]		Dimensions [mm]													Axial play max. [mm]
		SN	SL	dyn. C ²⁾	stat. C ₀ =C _{0a}	H	d	d _k	D ₁	D ₂	L ₂	L ₃ ¹⁾	L ₅	L ₆	L ₇	L ₉	L ₁₀	M	
Z-250	80x10 ⁴⁾	0.94	0.31	193.0	993.4	193	80	73.6	216	120	228	20	58	191	45	91	102	M56x2	0.03
	80x20	1.87	0.63	359.2	942.5	193	80	67	216	120	228	40	58	191	45	91	102	M56x2	0.03
	80x40	3.75	1.25	251.2	565.5	193	80	67	216	120	228	80	58	191	45	91	102	M56x2	0.03
	80x60	5.62	1.88	189.1	377.0	193	80	67	216	120	228	120	58	191	45	91	102	M56x2	0.03
Z-350	100x20	1.87	0.63	330.2	979.1	230	100	87.4	275	145	223	40	78	199	54	115	115	M72x3	0.03
	100x40	3.75	1.25	270.0	734.0	230	100	87.4	275	145	223	80	78	199	54	115	115	M72x3	0.03
	100x60	5.62	1.88	203.0	489.6	230	100	87.4	275	145	223	120	78	199	54	115	115	M72x3	0.03
	100x80 ⁴⁾	7.50	2.50	203.0	489.6	230	100	87.4	275	145	263	160	78	239	54	115	115	M72x3	0.03

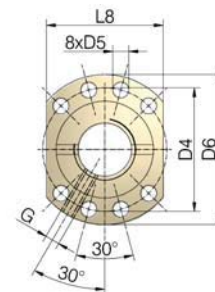
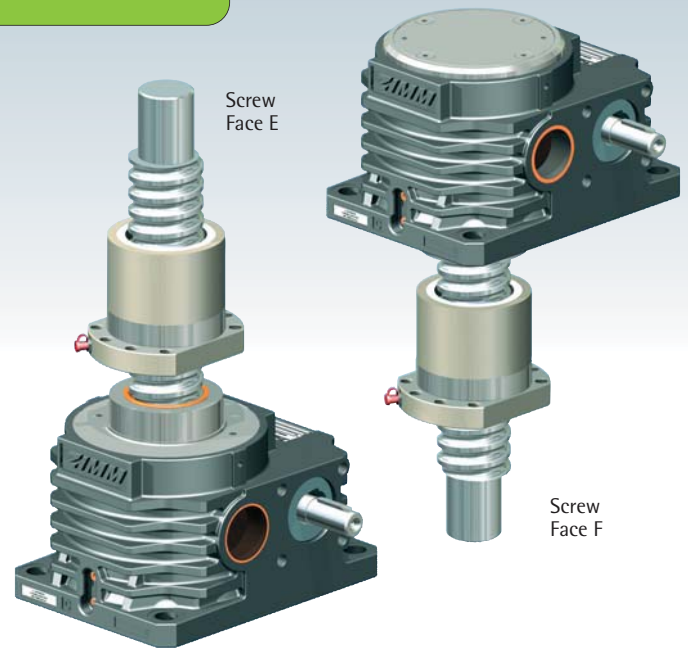
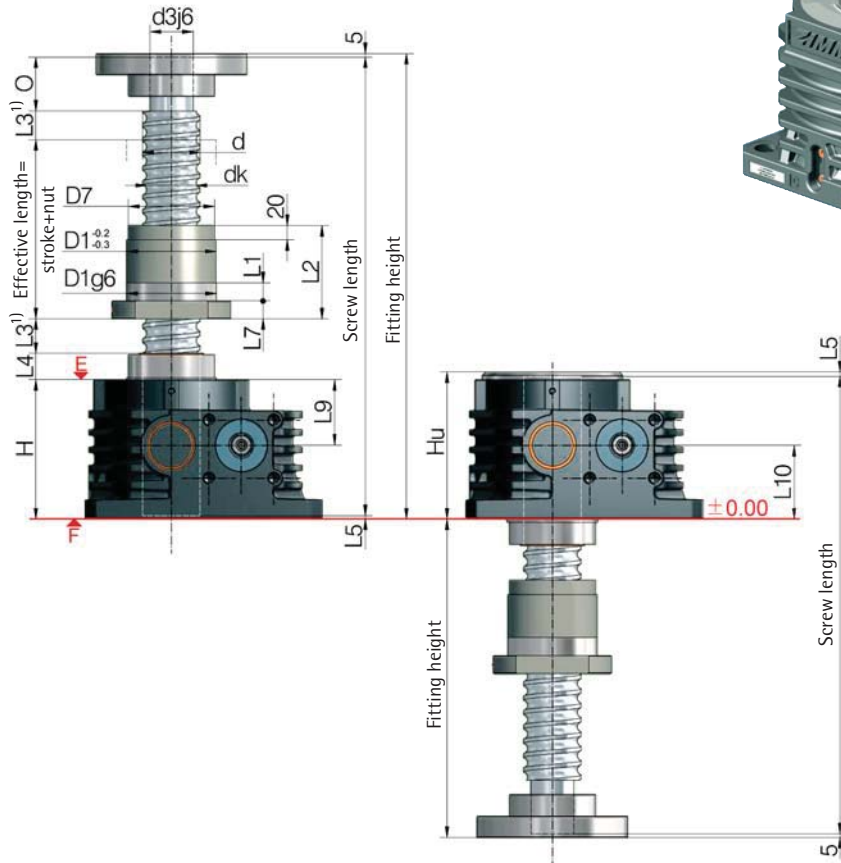
¹⁾ Depending on the control system and drive, the dimension L₃ can be reduced at your own discretion. An extension may be required if a bellows or spiral spring is fitted

²⁾ Dynamic load rating to DIN 69051 part 4 draft 1989

⁴⁾ Non-preferred design



Z-250 and Z-350, KGT-R
Rotating screw



Hole pattern 2 to DIN 69051

i - further technical information: Page 41
 - see the respective screw jack page for all other dimensions
 - see Section 4 for accessories
 - dimensions on the illustrative diagrams are in mm.
 We reserve the right to make changes.

Ordering example:
Z-250-RN-E-KGT 80x40, C = 112.4 kN - G
 Screw face E or F
 dynamic load rating C
 Nut flange
 G: flange gearbox side
 S: flange screw side

Screw jacks	Ball screw KGT	Stroke per drive revolution [mm]		KGT load rating [kN]		Nut Type	Nut Hole pattern	Dimensions [mm]																Lubrication hole G	Axial play max [mm]				
		RN	RL	dyn. stat. C ²⁾	C ₀ =C _{0a}			d	d _k	d _s	O	H	H _u	D ₁	D ₂	D ₅	D ₆	D ₇	L ₁	L ₂	L ₃	L ₄	L ₅			L ₇	L ₈	L ₉	L ₁₀
Z-250	80x10 ⁴⁾	0.94	0.31	93.4	269.2	E 2	2	80	75.8	60	75	193	204	105	125	13.5	145	-	16	120	20	37	5	20	110	91	102	M8x1	0.05
	80x20 ⁴⁾	1.87	0.63	320.0	820.0	E 2	2	78	68.2	60	75	193	204	135	155	13.5	175	-	25	190	40	37	5	25	140	91	102	M8x1	0.05
	80x10 ⁴⁾	0.94	0.31	193.0	993.4	E 2	2	80	73.6	60	75	193	204	105	125	13.5	145	-	16	160	20	37	5	20	110	91	102	M8x1	0.03
	80x20	1.87	0.63	359.2	942.5	E 2	2	80	67	60	75	193	204	125	145	13.5	165	120	25	190	40	37	5	25	130	91	102	M8x1	0.03
	80x40	3.75	1.25	251.2	565.5	E 2	2	80	67	60	75	193	204	125	145	13.5	165	120	25	190	80	37	5	25	130	91	102	M8x1	0.03
Z-350	80x60	5.62	1.88	189.1	377.0	E 2	2	80	67	60	75	193	204	125	145	13.5	165	120	25	190	120	37	5	25	130	91	102	M8x1	0.03
	100x20	1.87	0.63	330.2	979.1	E 2	2	100	87.4	80	100	230	230	150	176	17.5	202	145	25	175	40	24	6	30	155	115	115	M8x1	0.03
	100x40	3.75	1.25	270.0	734.0	E 2	2	100	87.4	80	100	230	230	150	176	17.5	202	145	25	175	80	24	6	30	155	115	115	M8x1	0.03
	100x60	5.62	1.88	203.0	489.6	E 2	2	100	87.4	80	100	230	230	150	176	17.5	202	145	25	175	120	24	6	30	155	115	115	M8x1	0.03
	100x80	7.50	2.50	203.0	489.6	E 2	2	100	87.4	80	100	230	230	150	176	17.5	202	145	25	215	160	24	6	30	155	115	115	M8x1	0.03

¹⁾ An extension may be required if a bellows or spiral spring is fitted
²⁾ Dynamic load rating to DIN 69051 part 4 draft 1989

⁴⁾ Non-preferred design