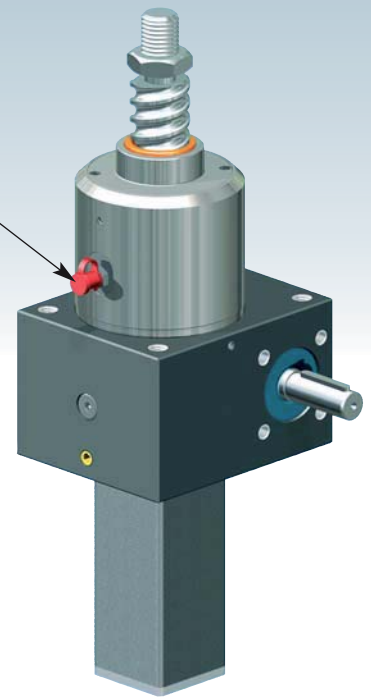
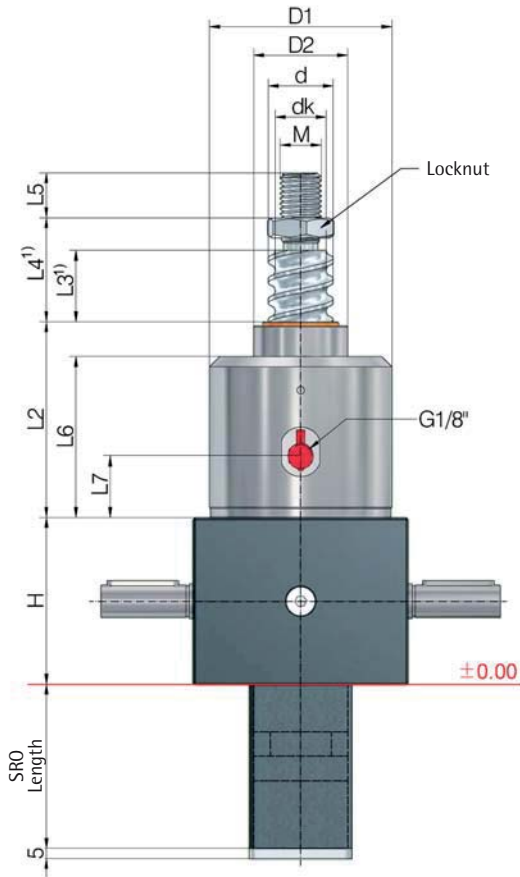




UNIQUE:
Ball screw lubrication
for the S version



GSZ-5 to GSZ-100, KGT-S translating screw



i - further technical information: Page 71
 - see the respective screw jack page for all other dimensions
 - see Section 4 for accessories
 - dimensions on the illustrative diagrams are in mm.
 We reserve the right to make changes.

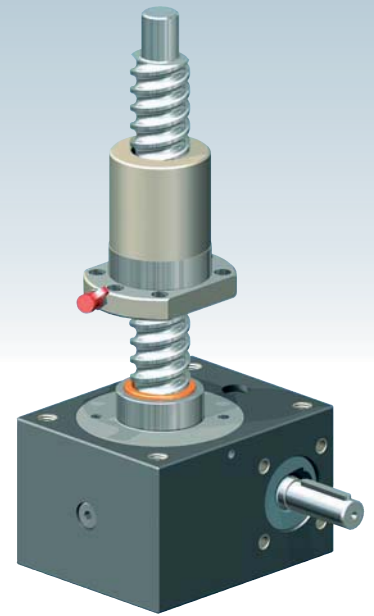
🛒 **Ordering example:**
GSZ-100-SN-KGT 50x20, C = 112.4 kN
 dynamic load rating C

Screw jacks	Ball screw KGT	Stroke per drive revolution [mm]		KGT load rating [kN]		Dimensions [mm]											Axial play max ⁵⁾ [mm]	
		SN	SL	dyn. C ²⁾	stat. C ₀ =C _{0a}	H	d	dk	D ₁	D ₂	L ₂	L ₃ ¹⁾	L ₄ ¹⁾	L ₅	L ₆	L ₇		M
GSZ-5	16x5	1.25	0.31	9.3	13.1	62	15.5	12.9	59	29	66	15	25	19	54	23	M12	0.08
	16x10	2.50	0.63	15.4	26.5	62	15.4	13.0	59	29	66	25	35	19	54	23	M12	0.08
GSZ-10	25x5	1.25	0.31	12.3	22.5	74	24.5	21.9	69	39	85	15	27	20	69	21	M14	0.08
	25x10	2.50	0.63	13.2	25.3	74	24.5	21.9	69	39	85	25	37	20	69	21	M14	0.08
	25x25	6.25	1.56	16.7	32.2	74	24.5	22.0	69	39	85	60	72	20	69	21	M14	0.08
	25x50	12.50	3.13	15.4	31.7	74	24.1	21.5	69	39	85	125	137	20	69	21	M14	0.15
GSZ-25	32x5	0.83	0.21	21.5	49.3	82	31.5	28.9	89	46	99	15	31	22	82	33	M20	0.08
	32x10	1.67	0.42	33.4	54.5	82	32.7	27.3	89	46	99	20	36	22	82	33	M20	0.08
	32x20	3.33	0.83	29.7	59.8	82	31.7	27.9	89	46	99	35	51	22	82	33	M20	0.08
	32x40	6.67	1.67	14.9	32.4	82	30.9	28.3	89	46	99	70	86	22	82	33	M20	0.08
GSZ-50	40x5	0.71	0.18	23.8	63.1	116	39.5	36.9	125	60	93	15	39	29	74	17	M30	0.08
	40x10	1.43	0.36	38	69.1	116	39.5	34.1	125	60	93	15	39	29	74	17	M30	0.08
	40x20	2.86	0.72	33.3	76.1	116	39.7	35.9	125	60	93	30	54	29	74	17	M30	0.08
	40x40	5.71	1.43	35	101.9	116	38.9	36.3	125	60	93	60	84	29	74	17	M30	0.08
GSZ-100	50x10	1.11	0.28	68.7	155.8	160	49.5	44.1	148	85	112	20	48	48	82	19	M36	0.08
	50x20	2.22	0.56	60	136.3	160	49.5	44.1	148	85	112	40	68	48	82	19	M36	0.08
	50x10	1.11	0.28	112.1	338.5	160	50	43.6	148	85	148	20	48	48	118	19	M36	0.03
	50x20	2.22	0.56	112.4	214.7	160	50	41.1	148	85	148	40	68	48	118	19	M36	0.03
	50x40	4.44	1.11	84.7	143.1	160	50	41.1	148	85	148	80	108	48	118	19	M36	0.03

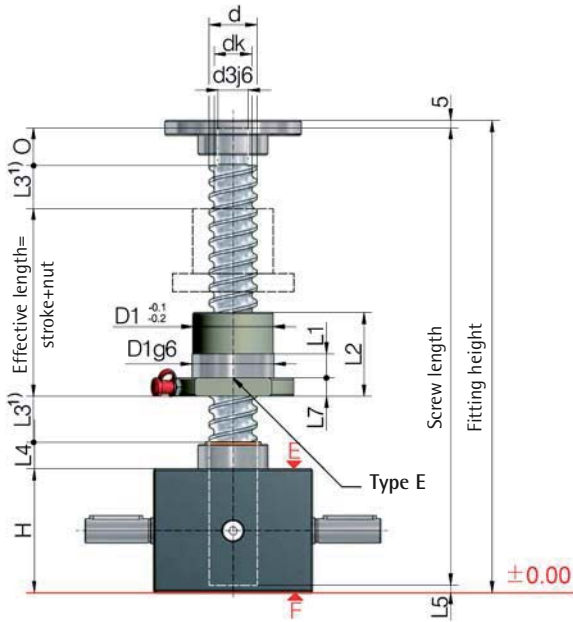
¹⁾ Depending on the control system and drive, the dimensions L₃ and L₄ can be reduced at your own discretion.
 An extension may be required if a bellows or spiral spring is fitted

²⁾ Dynamic load rating to DIN 69051 part 4 draft 1989.

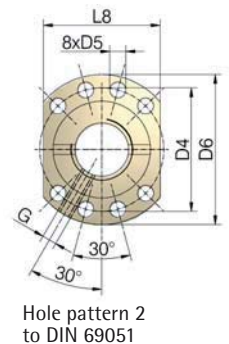
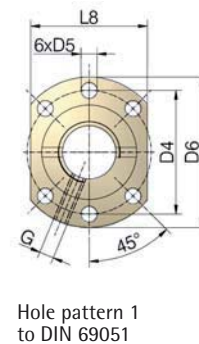
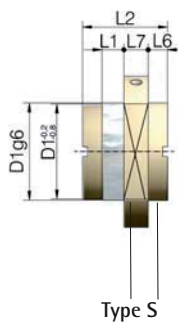
⁵⁾ Reduced play 0.02 mm available on request.



GSZ-2 to GSZ-100, KGT-R rotating screw



Position of the flange nut:
 G = flange gearbox side
 S = flange screw side



Adapter for KGT
 Dimension sheet on request

An increased screw (such as Z-10-RN with screw 32x10) can also be used for the rotating version.

Ordering example:
GSZ-100-RN-KGT 50x20, C = 112.4 kN - G
 dynamic load rating C
 Nut flange
 G: flange gearbox side
 S: flange screw side

Screw jacks	Ball screw KGT	Stroke per drive revolution [mm]		KGT load rating [kN]		Nut Type	Hole pattern	Dimensions [mm]																	Lubri-cation hole	Axial play max ⁵⁾ [mm]
		RN	RL	dyn. C ²⁾	stat. C ₀ =C _{0a}			d	dk	d ₃	O	H	D ₁	D ₄	D ₅	D ₆	L ₁	L ₂	L ₃ ¹⁾	L ₄	L ₅	L ₆	L ₇	L ₈		
GSZ-2	16x5	1.25	0.31	9.3	13.1	E 1	1	15.5	12.9	10	12	50	28	38	5.5	48	10	42	15	11	3	-	10	40	M6	0.08
	16x10	2.50	0.63	15.4	26.5	E 1	1	15.4	13.0	10	12	50	28	38	5.5	48	10	55	25	11	3	-	10	40	M6	0.08
GSZ-5	16x5	1.25	0.31	9.3	13.1	E 1	1	15.5	12.9	12	15	62	28	38	5.5	48	10	42	15	12	8	-	10	40	M6	0.08
	16x10	2.50	0.63	15.4	26.5	E 1	1	15.4	13.0	12	15	62	28	38	5.5	48	10	55	25	12	8	-	10	40	M6	0.08
GSZ-10	25x5	1.25	0.31	12.3	22.5	E 1	1	24.5	21.9	15	20	74	40	51	6.6	62	10	42	15	16	8	-	10	48	M6	0.08
	25x10	2.50	0.63	13.2	25.3	E 1	1	24.5	21.9	15	20	74	40	51	6.6	62	16	55	25	16	8	-	10	48	M6	0.08
	25x25 ³⁾	6.25	1.56	16.7	32.2	S 1	1	24.5	22.0	15	20	74	40	51	6.6	62	9	35	60	16	8	8	10	- ³⁾	M6	0.08
	25x50	12.50	3.14	15.4	31.7	S 1	1	24.1	21.5	15	20	74	40	51	6.6	62	10	58	125	16	8	10	10	48	M6	0.15
GSZ-25	32x5	0.83	0.21	21.5	49.3	E 1	1	31.5	28.9	20	25	82	50	65	9.0	80	10	55	15	17	5	-	12	62	M6	0.08
	32x10	1.67	0.42	33.4	54.5	E 1	1	32.7	27.3	20	25	82	53 ⁴⁾	65	9.0	80	16	69	20	17	5	-	12	62	M8x1	0.08
	32x20	3.33	0.83	29.7	59.8	E 1	1	31.7	27.9	20	25	82	53 ⁴⁾	65	9.0	80	16	80	35	17	5	-	12	62	M6	0.08
	32x40 ³⁾	6.67	1.67	14.9	32.4	S N ⁴⁾	1	30.9	28.3	20	25	82	53 ⁴⁾	68 ⁴⁾	7.0 ⁶⁾	80	14	45	70	17	5	7.5	16	- ³⁾	M6	0.08
GSZ-50	40x5	0.71	0.18	23.8	63.1	E 2	2	39.5	36.9	25	30	116	63	78	9	93	10	57	15	19	7	-	14	70	M6	0.08
	40x10	1.43	0.36	38	69.1	E 2	2	39.5	34.1	25	30	116	63	78	9	93	16	71	15	19	7	-	14	70	M8x1	0.08
	40x20	2.86	0.72	33.3	76.1	E 2	2	39.7	35.9	25	30	116	63	78	9	93	16	80	30	19	7	-	14	70	M8x1	0.08
	40x40	5.71	1.43	35	101.9	S 2	2	38.9	36.3	25	30	116	63	78	9	93	16	85	60	19	7	7.5	14	- ³⁾	M8x1	0.08
GSZ-100	50x10	1.11	0.28	68.7	155.8	E 2	2	49.5	44.1	40	45	160	75	93	11	110	16	95	20	30	8	-	16	85	M8x1	0.08
	50x20	2.22	0.56	60	136.3	E 2	2	49.5	44.1	40	45	160	85 ⁴⁾	103 ⁶⁾	11	125 ⁶⁾	22	95	40	30	8	-	18	95	M8x1	0.08
	50x10	1.11	0.28	112.1	338.5	E 2	2	50	43.6	40	45	160	75	93	11	110	16	107	20	30	8	-	16	85	M8x1	0.03
	50x20	2.22	0.56	112.4	214.7	E 2	2	50	41.1	40	45	160	85 ⁴⁾	103 ⁶⁾	11	120 ⁶⁾	16	125	40	30	8	-	16	95	M8x1	0.03
	50x40	4.44	1.11	84.7	143.1	E 2	2	50	41.1	40	45	160	85 ⁴⁾	103 ⁶⁾	11	120 ⁶⁾	16	125	80	30	8	-	16	95	M8x1	0.03
	50x50 ⁴⁾	5.56	1.39	84.7	143.1	E 2	2	50	41.1	40	45	160	85 ⁴⁾	103 ⁶⁾	11	120 ⁶⁾	16	145	100	30	8	-	16	95	M8x1	0.03

¹⁾ An extension may be required if a bellows or spiral spring is fitted.
²⁾ Dynamic load rating to DIN 69051 part 4 draft 1989.
³⁾ Round flange.

⁴⁾ Non-preferred design.
⁵⁾ Reduced play 0.02 mm available on request.
⁶⁾ Not to DIN 69051.