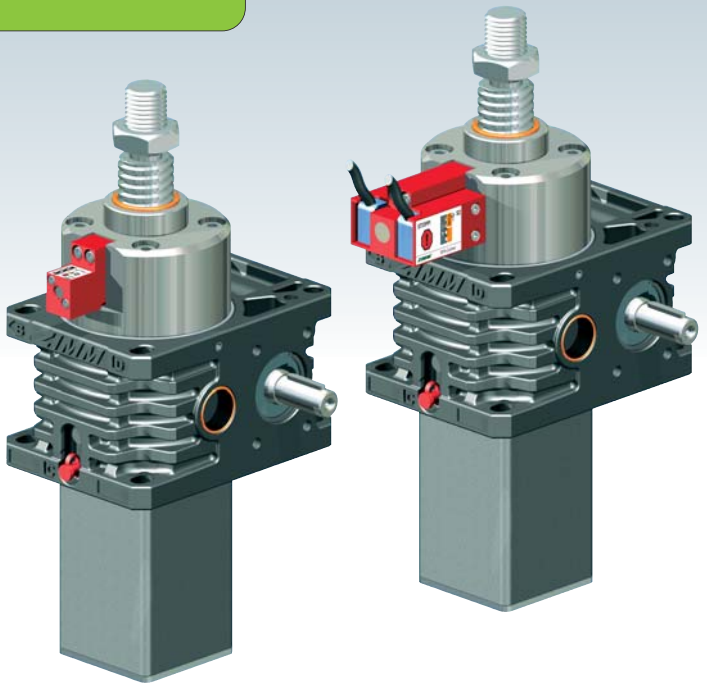
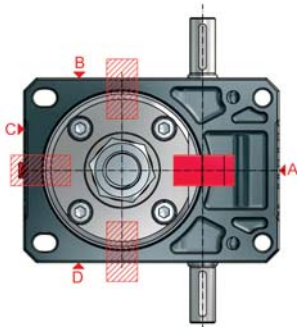
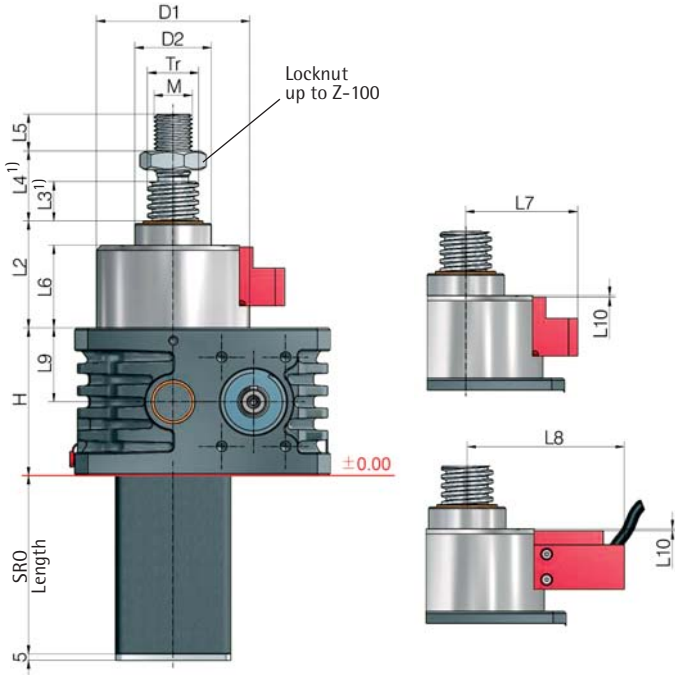




SIFA-S translating screw



Function S version



The load is borne by the worm wheel via the screw. If the worm wheel screw thread wears through, the SIFA restrains the screw. The load remains supported.

Direction of loading, compressive and tensile
The new SIFA-S operates equally in both compressive and tensile directions of loading!



Ordering code:

Z-35-SN-SIFA-OP-A

Version
SN or SL
Monitoring
OP: visual
EL: electrical (wear, thread stripping)
ELV: only wear
ELD: only thread stripping
NO: without any monitoring
Position
A (standard), B, C or D
(can also subsequently be rotated steplessly through 360°)



further technical information: Page 51

Screw jacks	Stroke travel/rev.		Tr thread	H	D1	D2	L2	L3 ¹⁾	L4 ¹⁾	L5	L6	L7	L8	L9	L10	M
	SN	SL														
Z-10	1	0.25	20x4	74	81	39	74	10	22	20	58	72	108	21	1	M14
Z-25	1	0.25	30x6	82	92	46	76	10	26	22	59	79	114	25	1	M20
Z-35	1	0.25	40x7	100	100	60	80	10	34	29	61	82	117	50	1	M30
Z-50	1	0.25	40x7	116	120	60	84	10	34	29	65	88	123	58	1	M30
Z-100	1	0.25	55x9	160	135	85	103	20	48	48	73	95	130	80	9	M36
Z-150	1	0.25	60x9	185	161	90	113	20	20	48	81	107	141	92.5	6	M42x2
Z-250	1.5	0.50	80x16	193	210	120	169	20	20	58	137	117	152	91	13	M56x2
Z-350	1.5	0.50	100x16	230	-	145	174	20	20	78	155	-	-	115	-	M72x3

up to Z-1000 on request

¹⁾ See Section 8 for extension if bellows or spiral spring is fitted

SIFA-S, monitoring

Visual

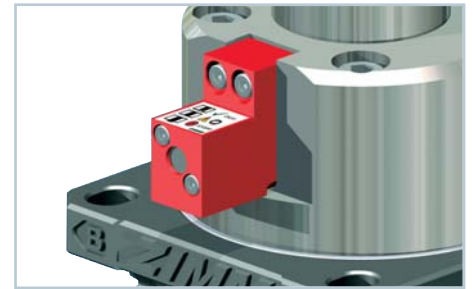
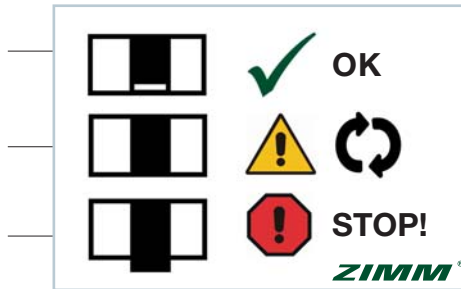
Monitoring

Wear should be checked and documented at regular intervals. This allows the fitting operation for replacement to be planned in good time so as to avoid system downtime.

OK
Wear still <25% of P

CAUTION!
max. permissible wear reached –
Replace the gearbox

STOP!
Wear >25% or thread already worn through –
Stop operation immediately!

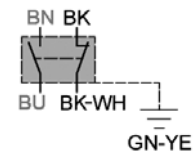
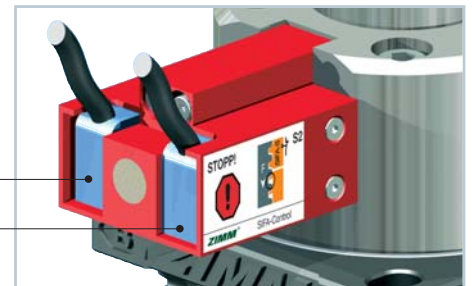


Electrical

WARNING! Switch S1
At 25% wear the limit switch S1 trips.
The customer must detect this signal.
This enables substitution to be planned well
in advance and therefore prevents any
unnecessary downtime.



STOP! Switch S2
If after the first signal operation of the jack
continues, the nut will continue to wear until
the thread is worn through. When the thread
is worn through, the safety nut takes the load.
The limit switch S2 trips.
The customer must detect this signal and
stop the system.



Use only NC relays for safety applications!

Without any monitoring

If the version used has no monitoring,
the dimension A must be measured and
documented when new, then regularly
checked and documented.

