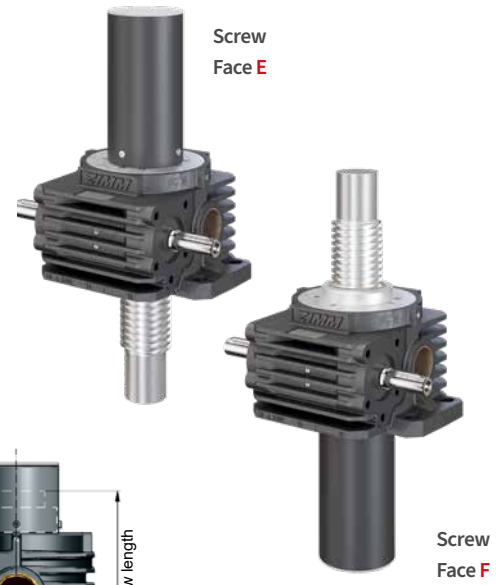
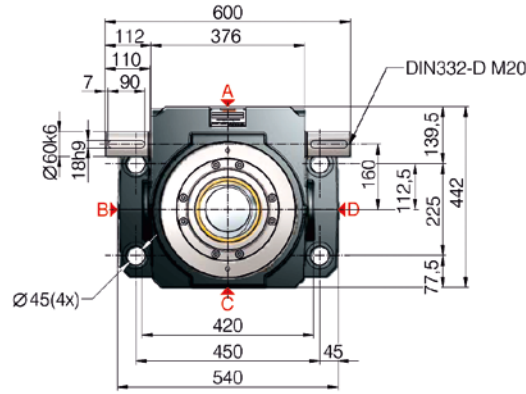
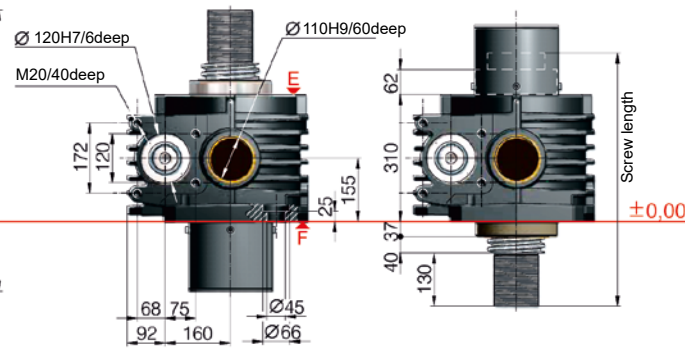
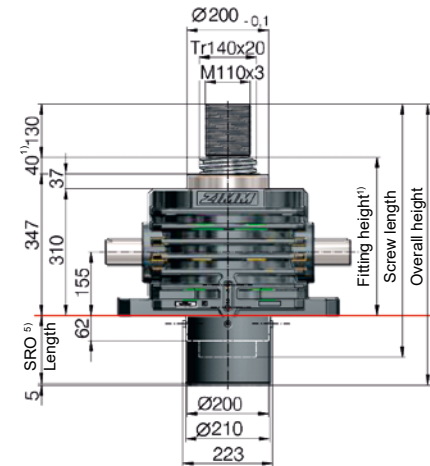
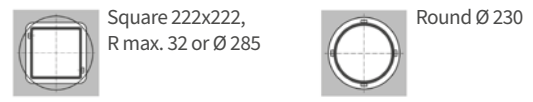


S 750 kN
Z-750-S | translating screw



Opening for protective tube



Protective tube SRO with Tr 140x20-Screw

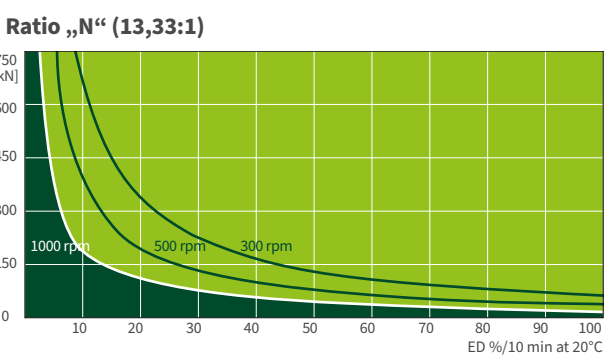
Without escape/rotation protection	157 + stroke	Ø 210
with escape protection AS	197 + stroke	Ø 210
with rotation protection VS	197 + stroke	□ 200 x 200
with VS and limit switch set ESSET	205 + stroke	□ 200 x 200

Standard configuration

Code	Gearbox (series)	Size	Version (variant)	Ratio	Screw	Stroke per drive shaft rotation
Z-750-SN	Z	750	S (translating screw)	N (normal) 13,33:1	Tr 140x20	1,50 mm
Z-750-SL				L (low) 40:1		0,50 mm

750 kN

Duty cycle thermal limit



These curves are for guidance under standard industrial conditions (ambient temperature 20°C etc.) and correct maintenance (lubrication etc.). They are based on the ZIMM standard trapezoidal thread Tr 140x20. The operation cycles can be many times longer, when using ball screws.

Screw jack mounting Z-Series

Full rated load (tension and compression)
 The gearbox can accept the full static rated load. If the fixing screws are subject to tensile loads, the gear unit can only be loaded to the nominal static load if the additional blind tapped holes (Face F) are used. The permissible load depends on the type of fastening.

Reduced load (Z-Series)
 If the fixing screws on the housing are loaded in tension, only reduced loads are permissible.