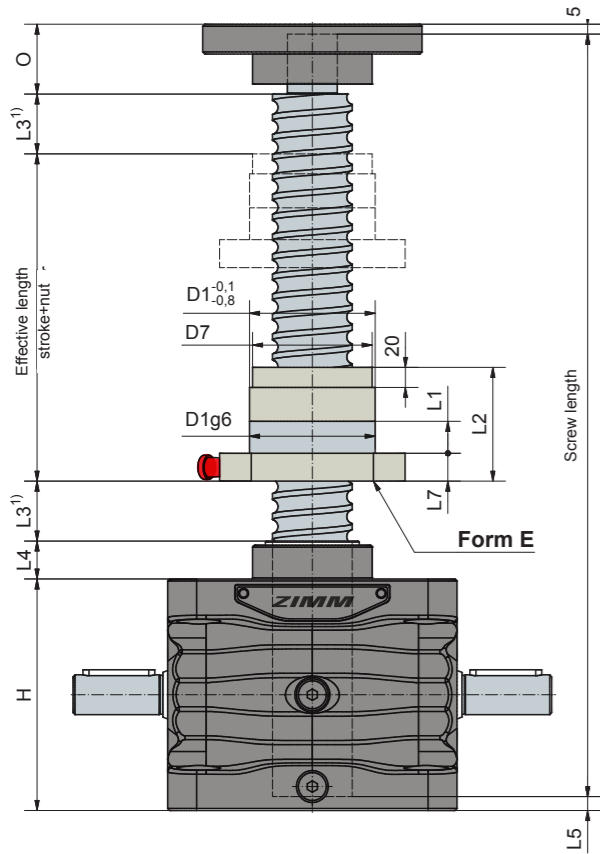
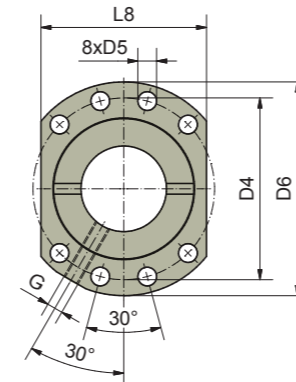
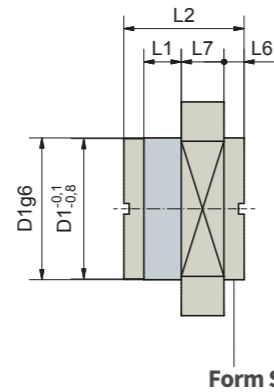


**35 to 100 kN**  
KGT-R | rotating screw



**Mounting side flange nut:**  
G = flange gearbox side (as shown)  
S = flange screw side



arrangement of boreholes  
2 to DIN 69051

# Technical data

**ZE-35-R**

max. compressive/tensile force, static: 35 kN (3,5 t)  
 Input speed: 1500 rpm / max. 1800 rpm  
 Gearbox operating temperature: max. 60°C, higher on request  
 Moment of inertia: N: 0,97 kg cm<sup>2</sup> / L: 0,67 kg cm<sup>2</sup>  
 Input torque (at 1500 rpm): max. 19,8 Nm (N) / max. 9 Nm (L)  
 Drive-through torque: max. 130 Nm  
 Gear ratio: 7:1 (normal) / 28:1 (low-speed)  
 Housing material: GGG, corrosion-resistant  
 Worm shaft: steel, case-hardened, ground  
 Weight (screw jack): 9,5 kg

**ZE-100-R**

max. compressive/tensile force, static: 100 kN (10 t)  
 Input speed: 1500 rpm / max. 1800 rpm  
 Gearbox operating temperature: max. 60°C, higher on request  
 Moment of inertia: N: 4,66 kg cm<sup>2</sup> / L: 3,38 kg cm<sup>2</sup>  
 Input torque (at 1500 rpm): max. 53,4 Nm (N) / max. 13,5 Nm (L)  
 Drive-through torque: max. 540 Nm  
 Gear ratio: 9:1 (normal) / 36:1 (low-speed)  
 Housing material: GGG, corrosion-resistant  
 Worm shaft: steel, case-hardened, ground  
 Weight (screw jack): 29 kg

**ZE-50-R**

max. compressive/tensile force, static: 50 kN (5 t)  
 Input speed: 1500 rpm / max. 1800 rpm  
 Gearbox operating temperature: max. 60°C, higher on request  
 Moment of inertia: N: 2,49 kg cm<sup>2</sup> / L: 1,73 kg cm<sup>2</sup>  
 Input torque (at 1500 rpm): max. 31,5 Nm (N) / max. 10,4 Nm (L)  
 Drive-through torque: max. 260 Nm  
 Gear ratio: 7:1 (normal) / 28:1 (low-speed)  
 Housing material: GGG, corrosion-resistant  
 Worm shaft: steel, case-hardened, ground  
 Weight (screw jack): 17 kg

**Ordering example: ZE-35-RN-KGT 40x10, C = 46,1 kN - G**

Version: RN or RL (translation)  
 KGT Screw  
 Dynamic load rating C  
 Nut flange: G: flange gearbox sides, S: flange screw side

A holding brake is necessary due to the lack of self-locking: either a brake motor or spring-loaded brake can be used.  
**Screw:** 1.1213 (Cf 53), hardened inductiv and polished.

**High performance Series ZE-H**  
 For high duty cycles or input speed up to 3000 rpm please contact our sales department.

Screw jacks	KGT Screw ØxP	Stroke per drive revolution		KGT load rating kN		Nut Type	Hole pattern	Lubrication-hole G	Axialplay max <sup>6)</sup> mm
		RN	RL	dyn. C <sup>2)</sup>	stat. C <sub>0</sub> =C <sub>0a</sub>				
ZE-35	40x5	0,71	0,18	27,5	63,3	E	2	M6	0,06
	40x10	1,43	0,36	46,1	71,3	E	2	M8x1	0,06
	40x20	2,86	0,72	44	80,4	E	2	M8x1	0,06
	40x40 <sup>3)</sup>	5,71	1,43	39,5	102,1	S	2	M8x1	0,06
ZE-50	40x5	0,71	0,18	27,5	63,6	E	2	M6	0,06
	40x10	1,43	0,36	46,1	71,3	E	2	M8x1	0,06
	40x20	2,86	0,72	44	80,4	E	2	M8x1	0,06
	40x40 <sup>3)</sup>	5,71	1,43	39,5	102,1	S	2	M8x1	0,06
ZE-100	50x10	1,11	0,28	122,4	248,6	E	2	M8x1	0,06
	50x20	2,22	0,56	127,3	270,3	S	N <sup>4)</sup>	M8x1	0,06
	50x40	4,44	1,11	84,7	143,1	E	2	M8x1	0,03
	50x50 <sup>5)</sup>	5,56	1,39	84,7	143,1	E	2	M8x1	0,03

Screw jacks	KGT Screw ØxP	Dimensions mm															
		d	dk	d3j6	O	H	D1	D4	D5	D6	L1	L2	L3 <sup>3)</sup>	L4	L5	L6	L7
ZE-35	40x5	39	36,4	25	30	100	63	78	9	93	10	57	15	19	7	14	70
	40x10	39	33,3	25	30	100	63	78	9	93	16	71	15	19	7	14	70
	40x20	39	34,3	25	30	100	63	78	9	93	16	80	30	19	7	14	70
	40x40 <sup>3)</sup>	39	36,4	25	30	100	63	78	9	93	16	85	60	19	7	7,5	14
ZE-50	40x5	39	36,4	25	30	116	63	78	9	93	10	57	15	19	7	14	70
	40x10	39	33,3	25	30	116	63	78	9	93	16	71	15	19	7	14	70
	40x20	39	34,3	25	30	116	63	78	9	93	16	80	30	19	7	14	70
	40x40 <sup>3)</sup>	39	36,4	25	30	116	63	78	9	93	16	85	60	19	7	7,5	14
ZE-100	50x10	49	43,3	40	45	160	75	93	11	110	16	107	20	30	8	16	85
	50x20	49	43,3	40	45	160	85 <sup>7)</sup>	103 <sup>7)</sup>	11	120 <sup>7)</sup>	16	125	40	30	8	16	95
	50x40	50	41,1	40	45	160	85 <sup>7)</sup>	103 <sup>7)</sup>	11	120 <sup>7)</sup>	16	125	80	30	8	16	95
	50x50 <sup>5)</sup>	50	41,1	40	45	160	85 <sup>7)</sup>	103 <sup>7)</sup>	11	120 <sup>7)</sup>	16	145	100	30	8	16	95

An increased screw can also be used for the rotating version. (such as: ZE-35-RN with screw 50x20)  
 1) An extension may be required if a bellows or spiral spring is fitted  
 2) Dynamic load rating to DIN 69051 part 4 draft 1989  
 3) Round flange  
 4) arrangement of boreholes on request  
 5) Non-preferred design  
 6) Reduced play 0,02 mm available on request  
 7) Not to DIN 69051