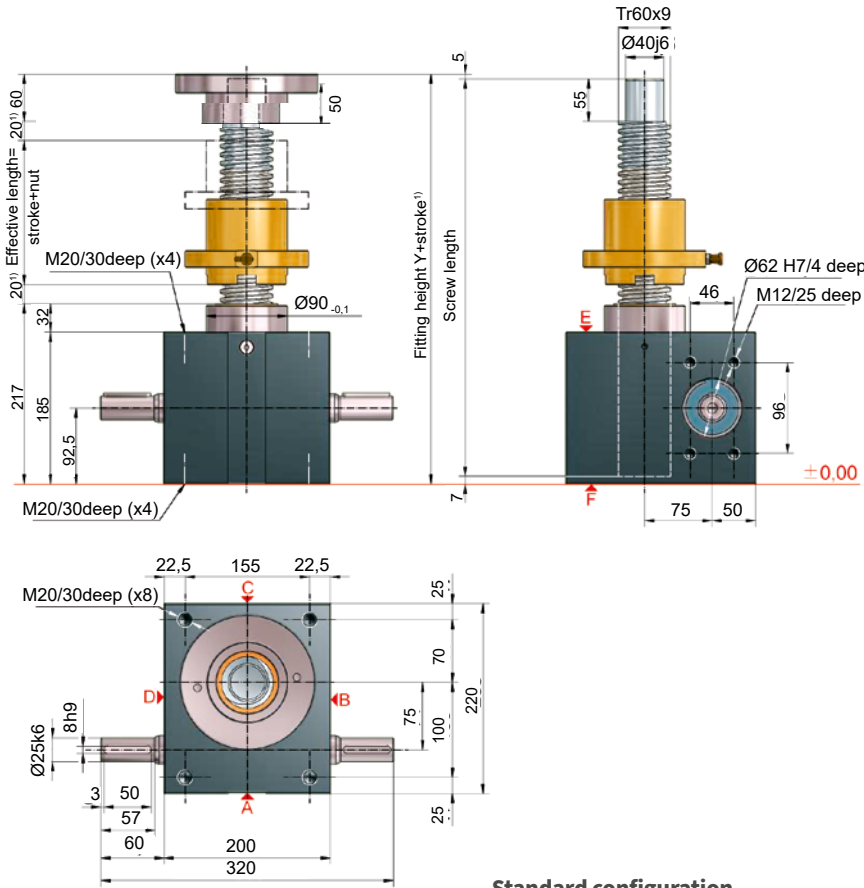


150 kN
GSZ-150-R | rotating screw



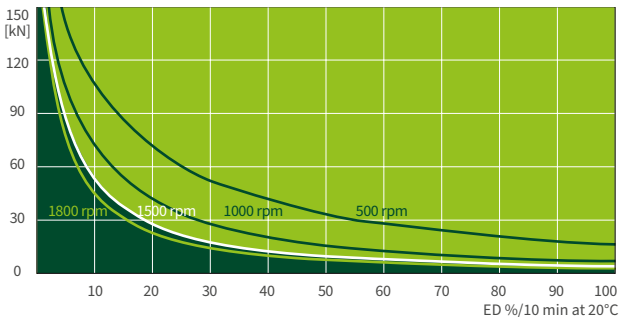
Standard configuration

Code	Gearbox (series)	Size	Version (variant)	Ratio	Screw	Stroke per drive shaft rotation
GSZ-150-RN	GSZ	150	R (rotating screw)	N (normal) 9:1	Tr 60x9	1,00 mm
GSZ-150-RL				L (low) 36:1		0,25 mm

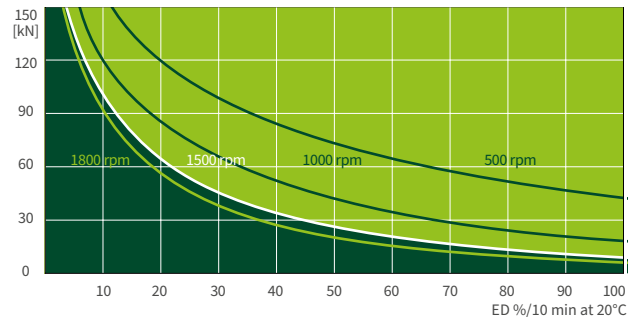
150 kN

Duty cycle thermal limit

Ratio „N“ (9:1)



Ratio „L“ (36:1)



These curves are for guidance under standard industrial conditions (ambient temperature 20°C etc.) and correct maintenance (lubrication etc.). They are based on the ZIMM standard trapezoidal thread Tr 60x9. The operation cycles can be many times longer, when using ball screws.