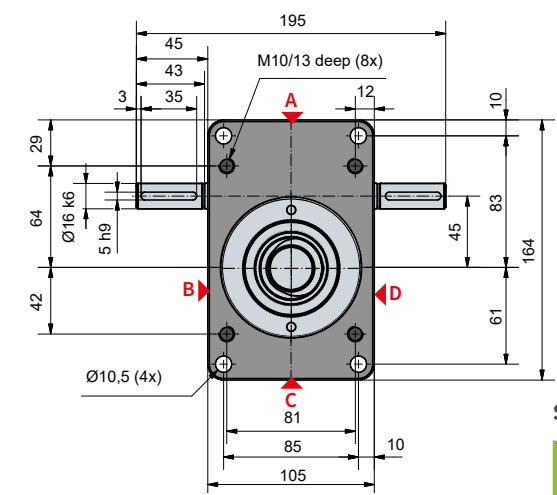
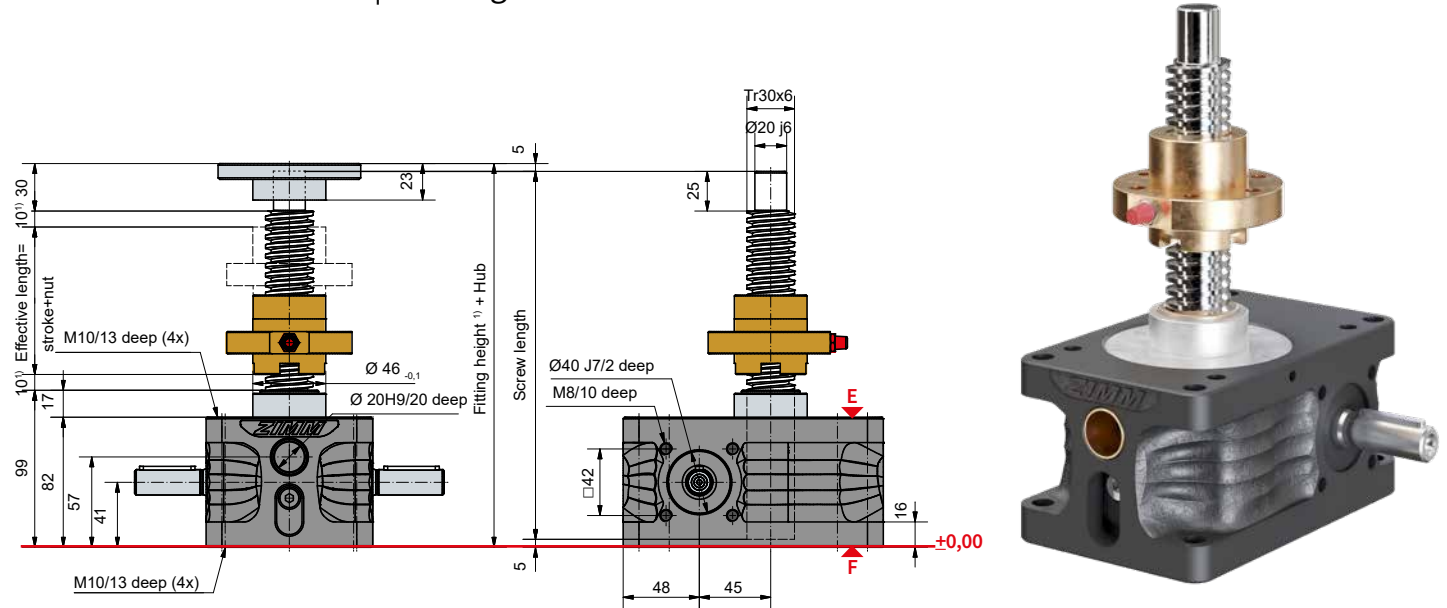


**25 kN**  
**ZE-25-R** | rotating screw



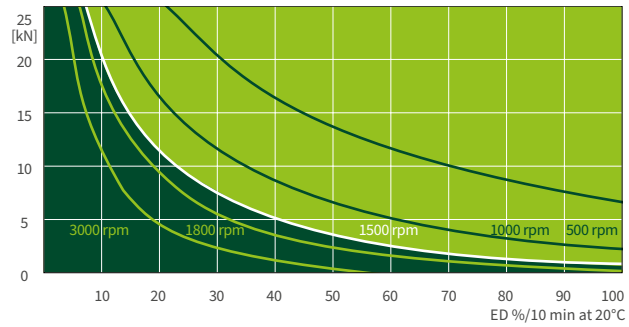
**Standard configuration**

Code	Gearbox (series)	Size	Version (variant)	Ratio	Screw	Stroke per drive shaft rotation
ZE-25-RN	ZE	25	R (rotating screw)	N (normal) 6:1	Tr 30x6	1,00 mm
ZE-25-RL				L (low) 24:1		0,25 mm

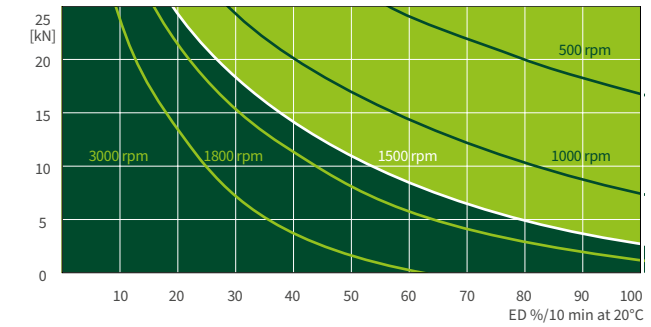
**25 kN**

**Duty cycle thermal limit**

**Ratio „N“ (6:1)**



**Ratio „L“ (24:1)**



These curves are for guidance under standard industrial conditions (ambient temperature 20°C etc.) and correct maintenance (lubrication etc.). They are based on the ZIMM standard trapezoidal thread Tr 30x6. The operation cycles can be many times longer, when using ball screws.