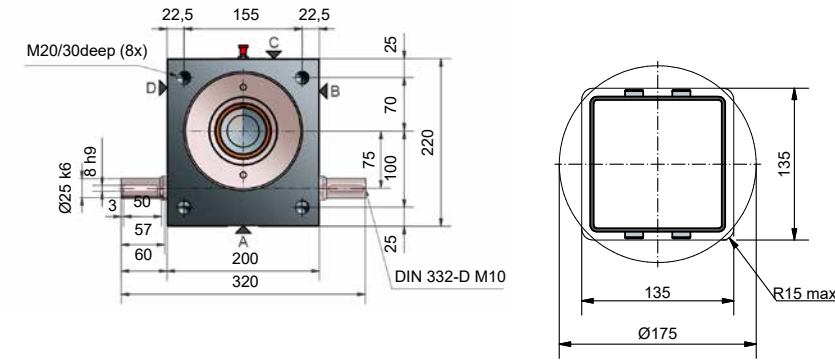
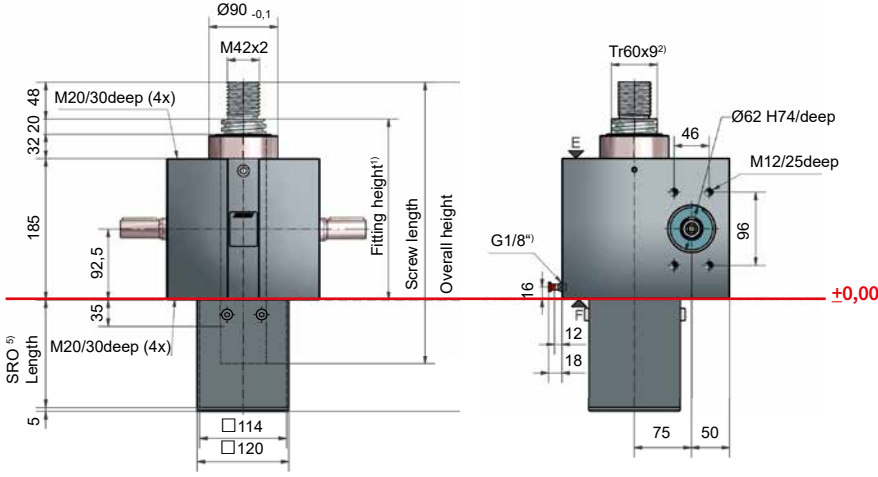


S 150 kN
GSZ-150-S | translating screw



Opening for protective tube square and round

5) Protective tube length SRO with Tr 60x9-Screw

Without escape/rotation protection	87 + stroke
Escape/rotation protection	117 + stroke
Rotation protection, with limit switch set ESSET	149 + stroke
Rotation protection, ES and KAR*	199 + stroke

*Hinged bearing plate KAR, fitted on face F (below).

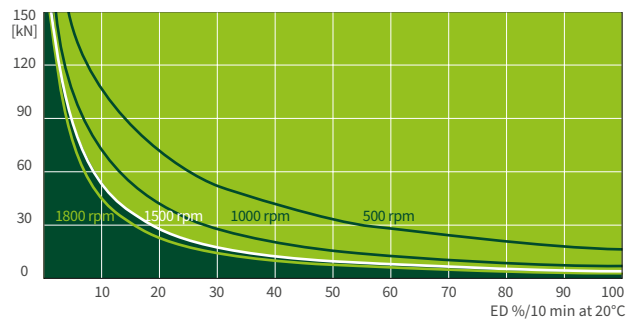
Standard configuration

Code	Gearbox (series)	Size	Version (variant)	Ratio	Screw	Stroke per drive shaft rotation
GSZ-150-SN	GSZ	150	S (translating screw)	N (normal) 9:1	Tr 60x9	1,00 mm
GSZ-150-SL				L (low) 36:1		0,25 mm

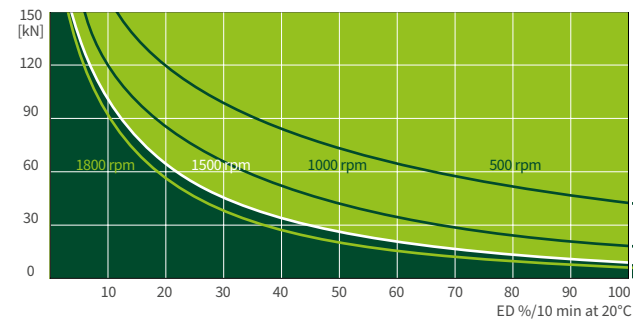
150 kN

Duty cycle thermal limit

Ratio „N“ (9:1)



Ratio „L“ (36:1)



These curves are for guidance under standard industrial conditions (ambient temperature 20°C etc.) and correct maintenance (lubrication etc.). They are based on the ZIMM standard trapezoidal thread Tr 60x9. The operation cycles can be many times longer, when using ball screws.