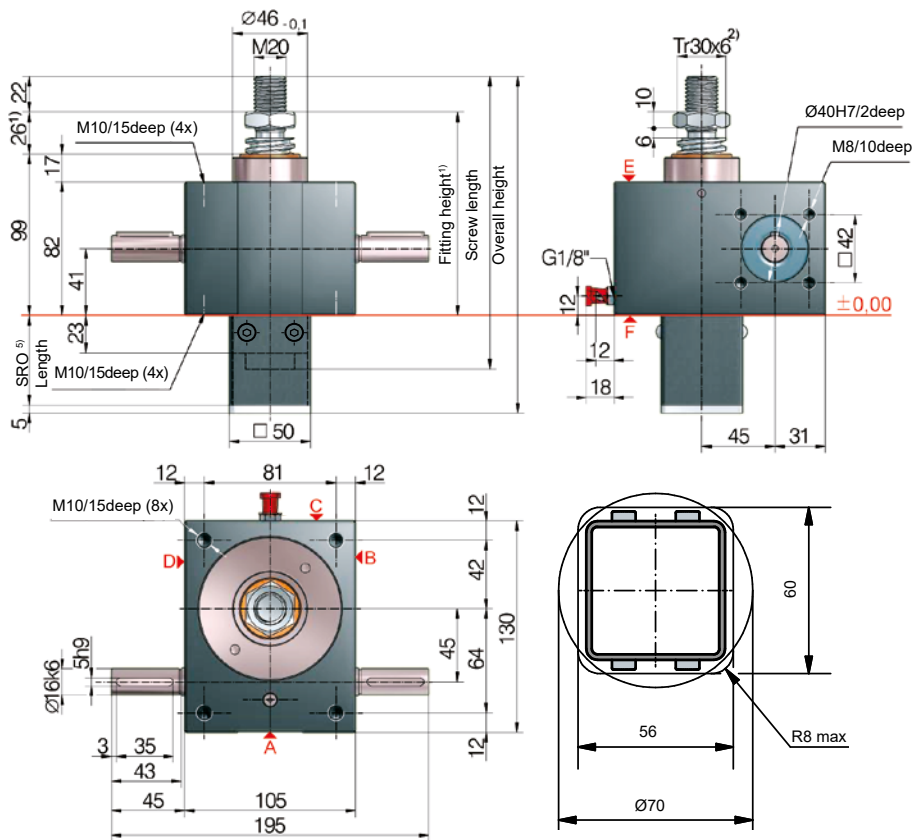


25 kN
GSZ-25-S | translating screw



5) Protective tube length SRO with Tr 30x6-Screw

Without escape/rotation protection	53 + stroke
Escape/rotation protection	73 + stroke
Rotation protection, with limit switch set ESSET	125 + stroke
Rotation protection and ESSET and KAR	149 + stroke

*Hinged bearing plate KAR, fitted on face F (below).

Opening for protective tube square and round

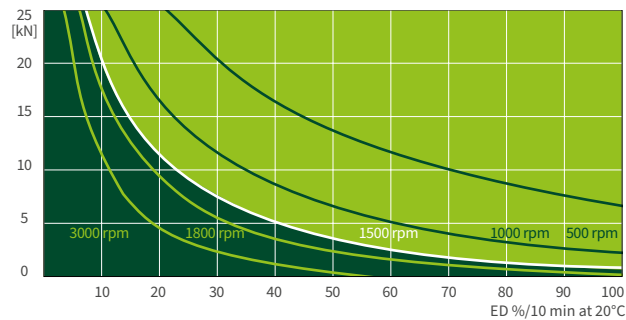
Standard configuration

Code	Gearbox (series)	Size	Version (variant)	Ratio	Screw	Stroke per drive shaft rotation
GSZ-25-SN	GSZ	25	S (translating screw)	N (normal) 6:1	Tr 30x6	1,00 mm
GSZ-25-SL				L (low) 24:1		0,25 mm

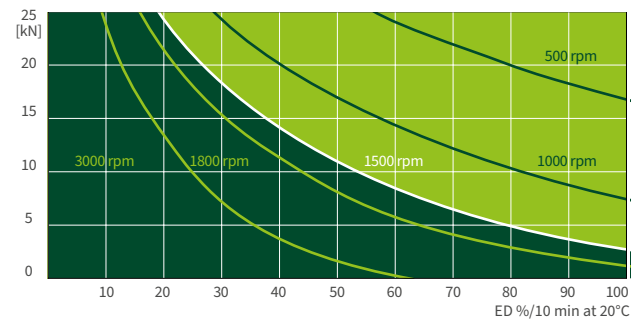
25 kN

Duty cycle thermal limit

Ratio „N“ (6:1)



Ratio „L“ (24:1)



These curves are for guidance under standard industrial conditions (ambient temperature 20°C etc.) and correct maintenance (lubrication etc.). They are based on the ZIMM standard trapezoidal thread Tr 30x6. The operation cycles can be many times longer, when using ball screws.