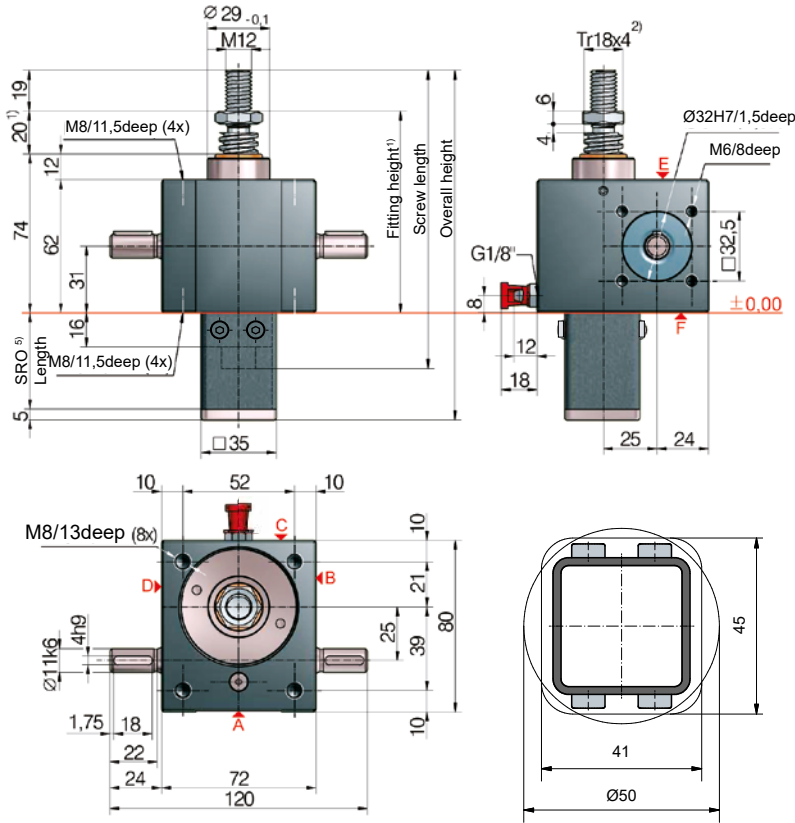


**5 kN**  
**GSZ-5-S** | translating screw



Opening for protective tube square and round

**5) Protective tube length SRO with Tr 18x4-Screw**

|  |              |
|--|--------------|
| Without escape/rotation protection               | 46 + stroke  |
| Escape/rotation protection                       | 61 + stroke  |
| Rotation protection, with limit switch set ESSET | 119 + stroke |
| Rotation protection and ESSET and KAR            | 140 + stroke |

\*Hinged bearing plate KAR, fitted on face F (below).

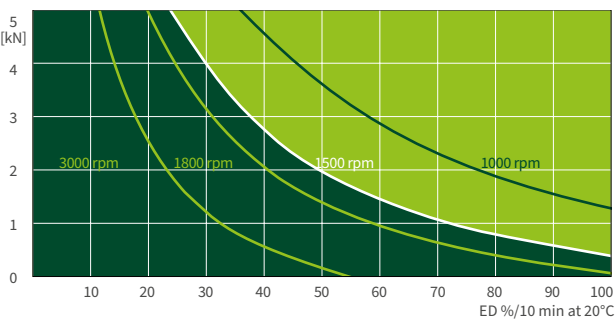
**Standard configuration**

| Code     | Gearbox (series) | Size | Version (variant)     | Ratio          | Screw   | Stroke per drive shaft rotation |
|----------|------------------|------|-----------------------|----------------|---------|---------------------------------|
| GSZ-5-SN | GSZ              | 5    | S (translating screw) | N (normal) 4:1 | Tr 18x4 | 1,00 mm                         |
| GSZ-5-SL |                  |      |                       | L (low) 16:1   |         | 0,25 mm                         |

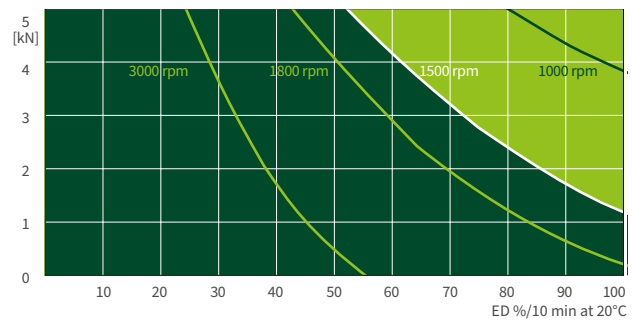
**5 kN**

**Duty cycle thermal limit**

**Ratio „N“ (4:1)**



**Ratio „L“ (16:1)**



These curves are for guidance under standard industrial conditions (ambient temperature 20°C etc.) and correct maintenance (lubrication etc.). They are based on the ZIMM standard trapezoidal thread Tr 18x4. The operation cycles can be many times longer, when using ball screws.