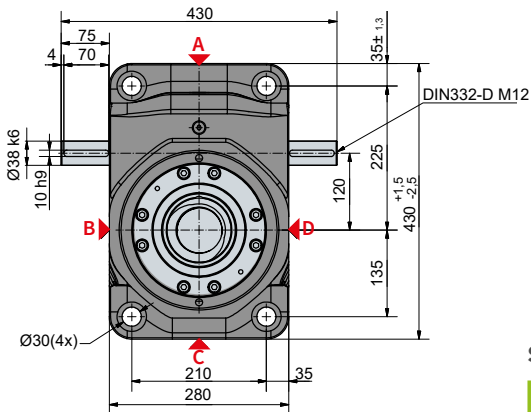
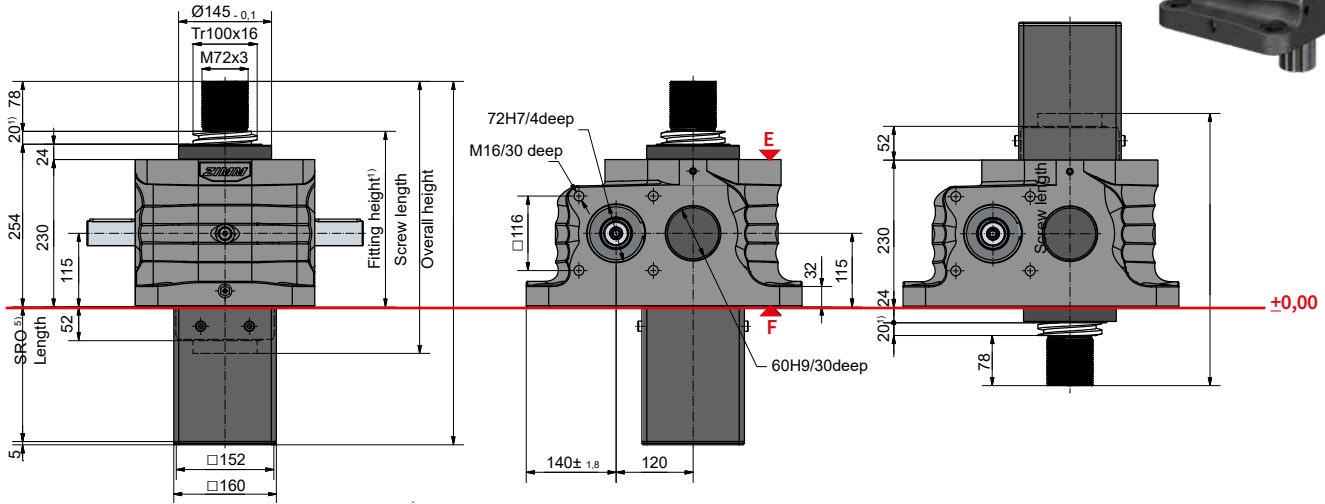
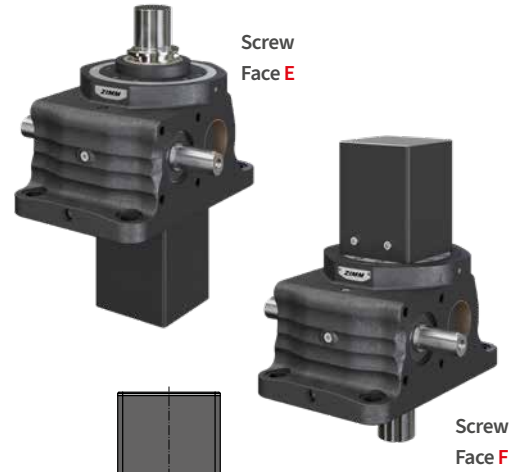
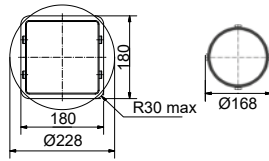


**S** 350 kN  
**ZE-350-S** | translating screw



**Opening for protective tube SRO**



**Protective tube length with Tr 80x16-Screw**

Without escape/rotation protection	107 + stroke	Ø 150
with escape protection AS	142 + stroke	Ø 150
with rotation protection VS	142 + stroke	□ 160 x 160
with VS and limit switch set ESSET	160 + stroke	□ 160 x 160

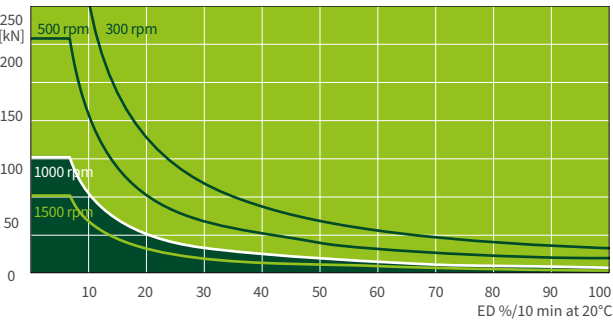
**Standard configuration**

Code	Gearbox (series)	Size	Version (variant)	Ratio	Screw	Stroke per drive shaft rotation
ZE-350-SN	ZE	350	S (translating screw)	N (normal) 10,66:1	Tr 100x16	1,50 mm
ZE-350-SL				L (low) 32:1		0,50 mm

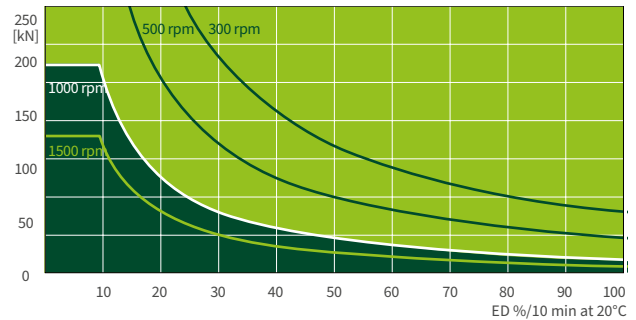
# 350 kN

## Duty cycle thermal limit

Ratio „N“ (10,66:1)



Ratio „L“ (32:1)



These curves are for guidance under standard industrial conditions (ambient temperature 20°C etc.) and correct maintenance (lubrication etc.). They are based on the ZIMM standard trapezoidal thread Tr 100x16. The operation cycles can be many times longer, when using ball screws.