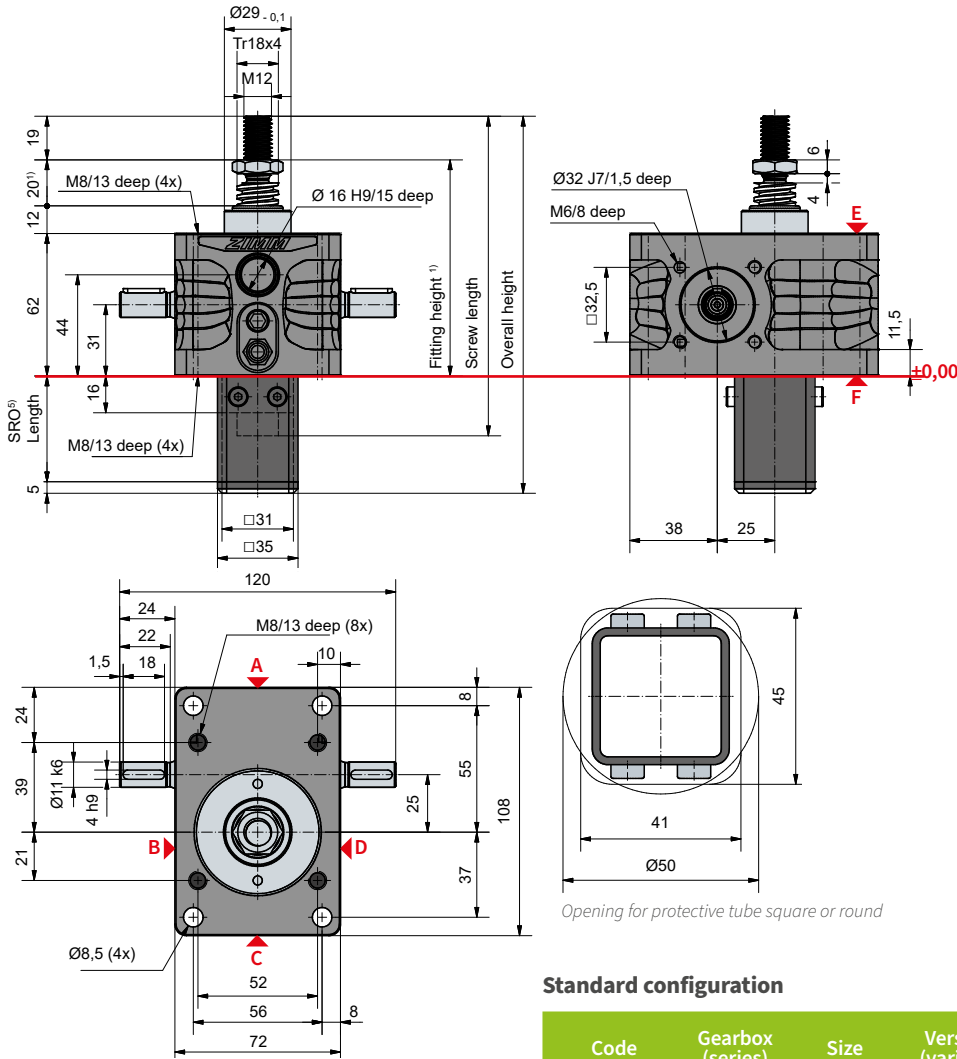


5 kN
ZE-5-S | translating screw



Protective tube length SRO with Tr 18x4-screw

Without escape/rotation protection	46 + stroke
Escape/rotation protection	61 + stroke
Rotation protection, with limit switch se ESSET	119 + stroke
Rotation protection with ESSET and KAR	140 + stroke

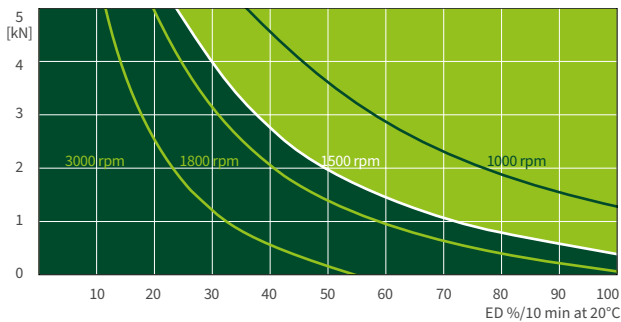
Standard configuration

Code	Gearbox (series)	Size	Version (variant)	Ratio	Screw	Stroke per drive shaft rotation
ZE-5-SN	ZE	5	S (translating screw)	N (normal) 4:1	Tr 18x4	1,00 mm
ZE-5-SL				L (low) 16:1		0,25 mm

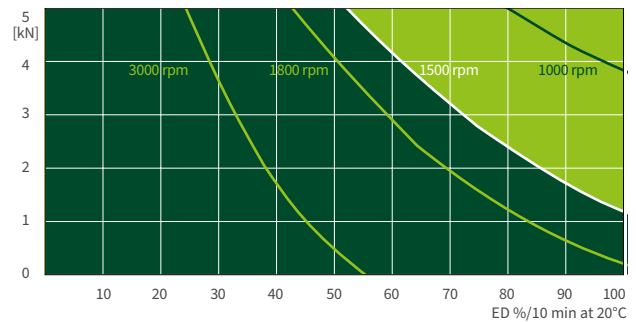
5 kN

Duty cycle thermal limit

Ratio „N“ (4:1)



Ratio „L“ (16:1)



These curves are for guidance under standard industrial conditions (ambient temperature 20°C etc.) and correct maintenance (lubrication etc.). They are based on the ZIMM standard trapezoidal thread Tr 18x4. The operation cycles can be many times longer, when using ball screws.