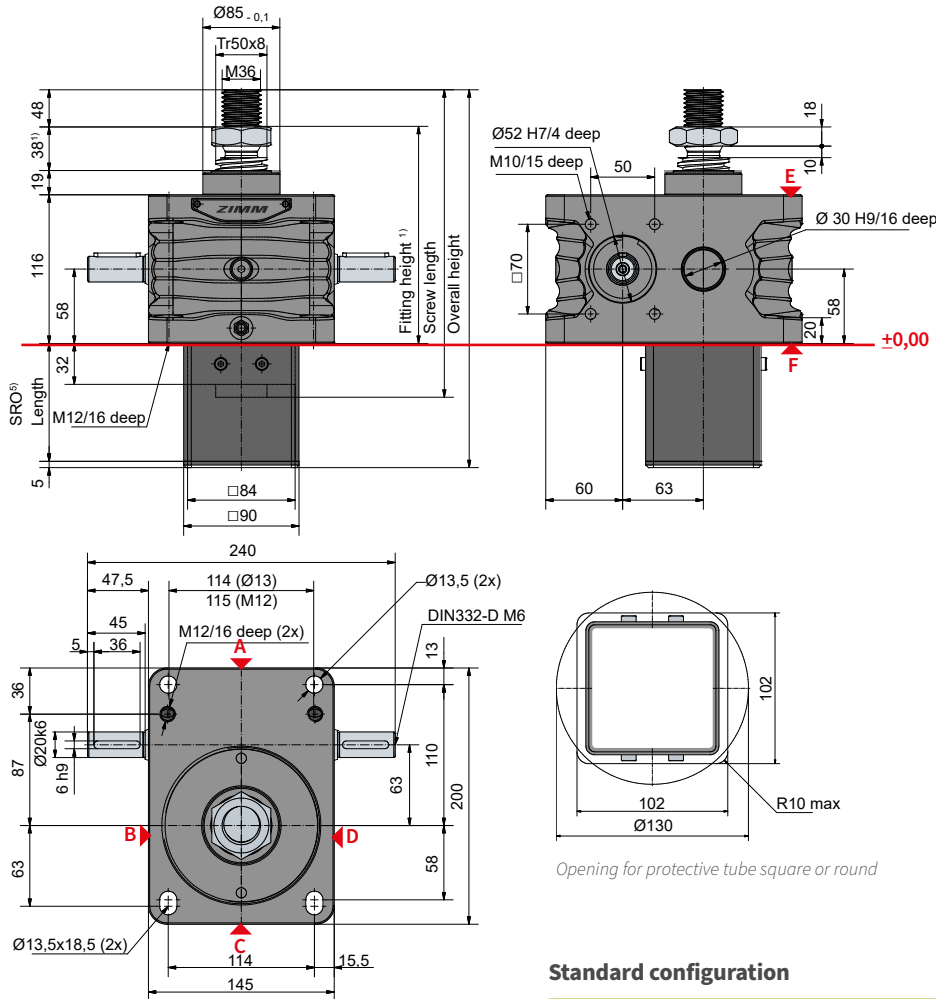


**50 kN**  
**ZE-50/Tr50-S** | translating screw



**Protective tube length SRO with Tr 50x8-Screw**

Without escape/rotation protection	62 + stroke
Escape/rotation protection	92 + stroke
Rotation protection, with limit switch set ESSET	144 + stroke

Für ZE-50/Tr50 wird spindelseitiges Zubehör von ZE-100 verwendet.

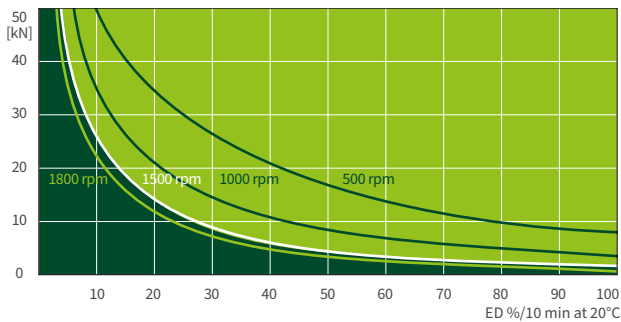
**Standard configuration**

Code	Gearbox (series)	Size	Version (variant)	Ratio	Screw	Stroke per drive shaft rotation
ZE-50/Tr50-SN	ZE	50	S (translating screw)	N (normal) 7:1	Tr 50x8	1,143 mm
ZE-50/Tr50-SL				L (low) 28:1		0,286 mm

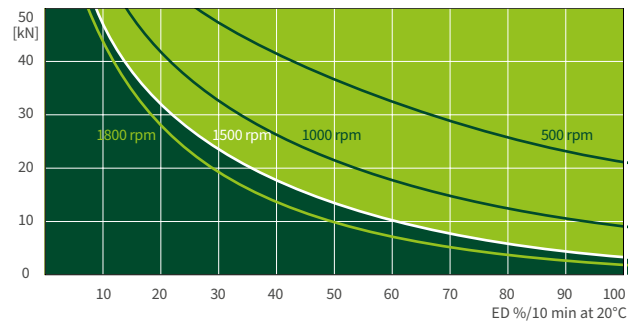
**50 kN**

**Duty cycle thermal limit**

**Ratio „N“ (7:1)**



**Ratio „L“ (28:1)**



These curves are for guidance under standard industrial conditions (ambient temperature 20°C etc.) and correct maintenance (lubrication etc.). They are based on the ZIMM standard trapezoidal thread Tr 50x8. The operation cycles can be many times longer, when using ball screws. In case you need an even longer duration or performance, look up about our high performance gearboxes ZE-H (identical dimensions) on the pages 70 and 71.