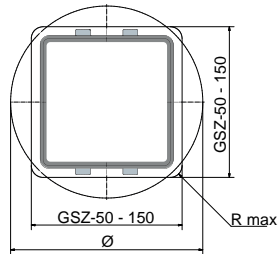
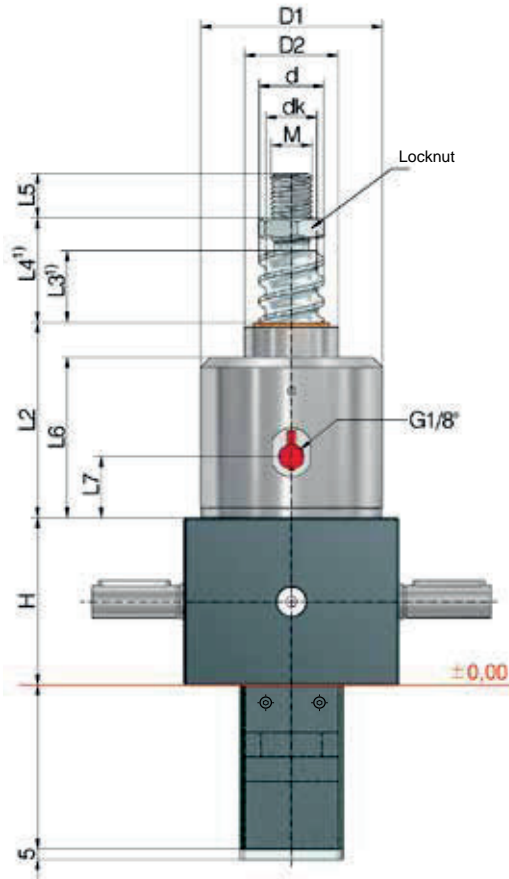


GSZ 50 to 150 kN

KGT-S | translating screw



Opening for protective tube SRO

GSZ-50	GSZ-100	GSZ-150
Protective tube square: 102x102, R max. 10 or Ø130		Protective tube square: 135x135, R max. 15 or Ø175

VS rotation protection is recommended as standard.

Protective tube length SRO

Detailed calculation of the fitting dimensions (bellows, screw, protective tube...) can be conveniently determined with our online configurator: www.zimm.com

Screw jacks	KGT Screw	Stroke per drive revolution		KGT Load rating kN		Axial play max ³⁾ mm
	ØxP	SN	SL	dyn. C ²⁾	stat. Co=C _{oa}	
GSZ-50	40x5	0,71	0,18	27,5	63,6	0,06
	40x10	1,43	0,36	46,1	71,3	0,06
	40x20	2,86	0,72	44	80,4	0,06
	40x40	5,71	1,43	35	101,9	0,06
GSZ-100	50x10	1,11	0,28	122,4	248,6	0,06
	50x20	2,22	0,56	127,3	270,3	0,06
	50x40	4,44	1,11	84,7	143,1	0,06
GSZ-150	63x10	1,11	0,28	150,2	598,4	0,03
	63x20	2,22	0,56	173,5	346,2	0,03
	63x40	4,44	1,11	96,6	205,1	0,03
	63x60 ³⁾	6,67	1,67	59,5	102,5	0,03



Screw jacks	KGT Screw ØxP	Dimensions mm											
		H	d	dk	D1	D2	L2	L3 ¹⁾	L4 ¹⁾	L5	L6	L7	M
GSZ-50	40x5	116	39	36,4	125	60	93	15	39	29	74	17	M30
	40x10	116	39	33,3	125	60	93	15	39	29	74	17	M30
	40x20	116	39	34,3	125	60	93	30	54	29	74	17	M30
	40x40	116	39	36,4	125	60	93	60	84	29	74	17	M30
GSZ-100	50x10	160	49	43,3	148	85	148	20	48	48	118	19	M36
	50x20	160	49	43,3	148	85	148	40	68	48	118	19	M36
	50x40	160	50	41,1	148	85	148	80	108	48	118	19	M36
GSZ-150	63x10	185	63	56,6	168	90	150	20	20	48	118	24	M32
	63x20	185	63	51,8	168	90	150	40	40	48	118	24	M32
	63x40	185	63	54,1	168	90	150	80	80	48	118	24	M32
	63x60 ³⁾	185	63	54,1	168	90	150	120	120	48	118	24	M32

1) Depending on the control system and drive, the dimension L3 and L4 can be reduced at your own discretion.
An extension may be required if a bellows or spiral spring is fitted.

2) Dynamic load rating to DIN ISO 3408

3) Reduced play 0,02 mm available on request