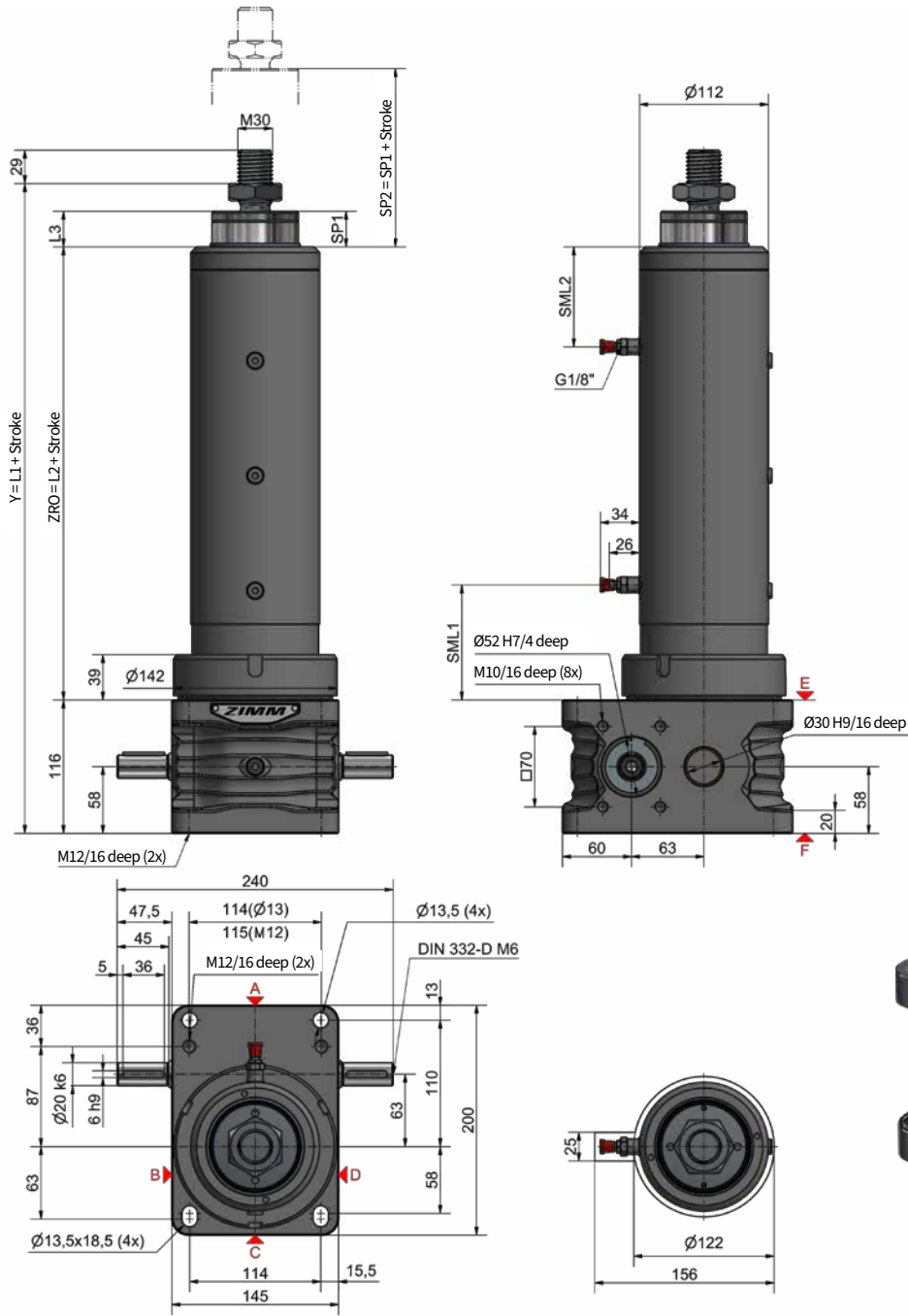


# 50 kN

## ZA-50 | Electromechanical actuators



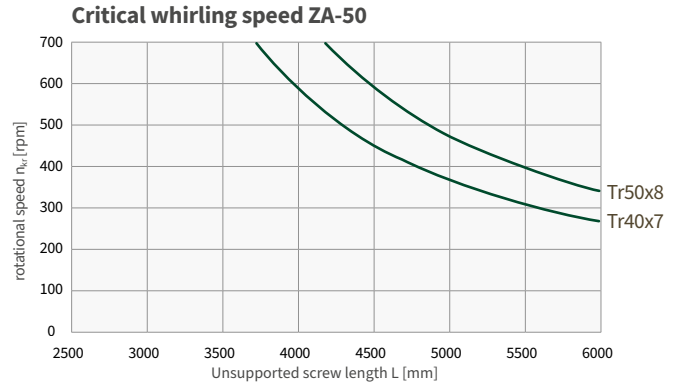
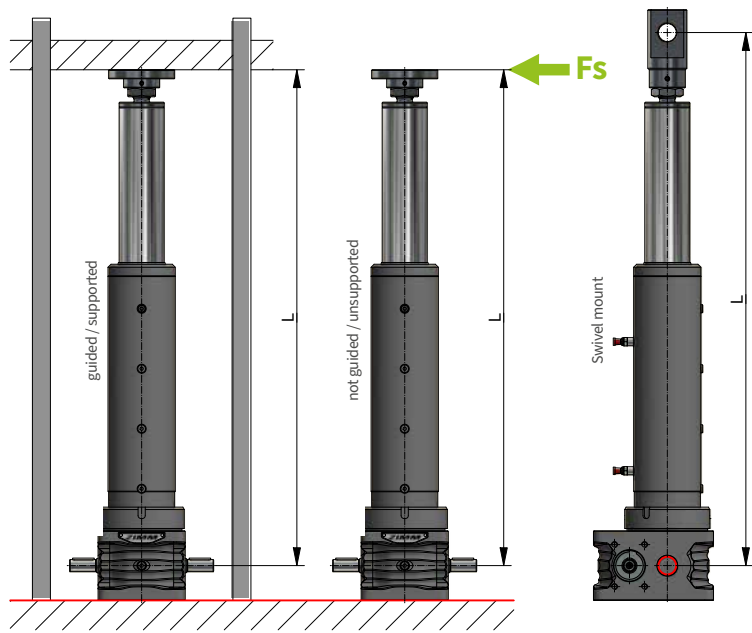
# 50 kN

### Length calculations

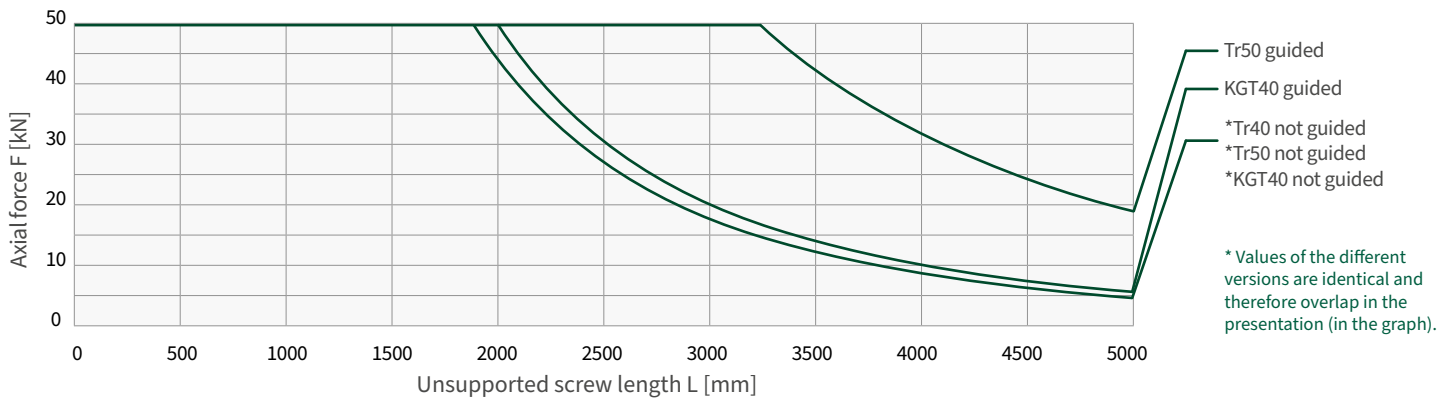
	Standard TR	SIFA TR	KGT40x5	KGT40x10	KGT40x20
L1	379 mm	393 mm	427 mm	427 mm	472 mm
L2	216 mm	230 mm	259 mm	259 mm	289 mm
L3	23 mm	23 mm	28 mm	28 mm	43 mm
SP1	23 mm	23 mm	28 mm	28 mm	43 mm
SML1	75 mm	89 mm	112 mm	112 mm	127 mm
SML2	140 mm	140 mm	147 mm	147 mm	162 mm

# Technical information

## ZA-50 | Critical buckling force & critical whirling speed



### Critical buckling force ZA-50



### Dynamic lateral force $F_s$ (max.)

Fully extended L [mm]	max. $F_s$ [N] (dynamic)	
	Standard	Increased**
500	900	2020
600		2020
700		1800
800		1580
900		1370
1000		1200
1200	930	
1500	730	
2000	490	
2500	350	
3000	260	

For tensile loads in conjunction with lateral forces, the permissible load is limited to 60% of the nominal load (max. tensile force ZA-50 = 30kN). Part-turn actuator excluded from this limitation.

For compressive loads, the buckling diagram must also be observed.

\*\*Only with forked end, rod end and pivot bearing end from size ZE-100