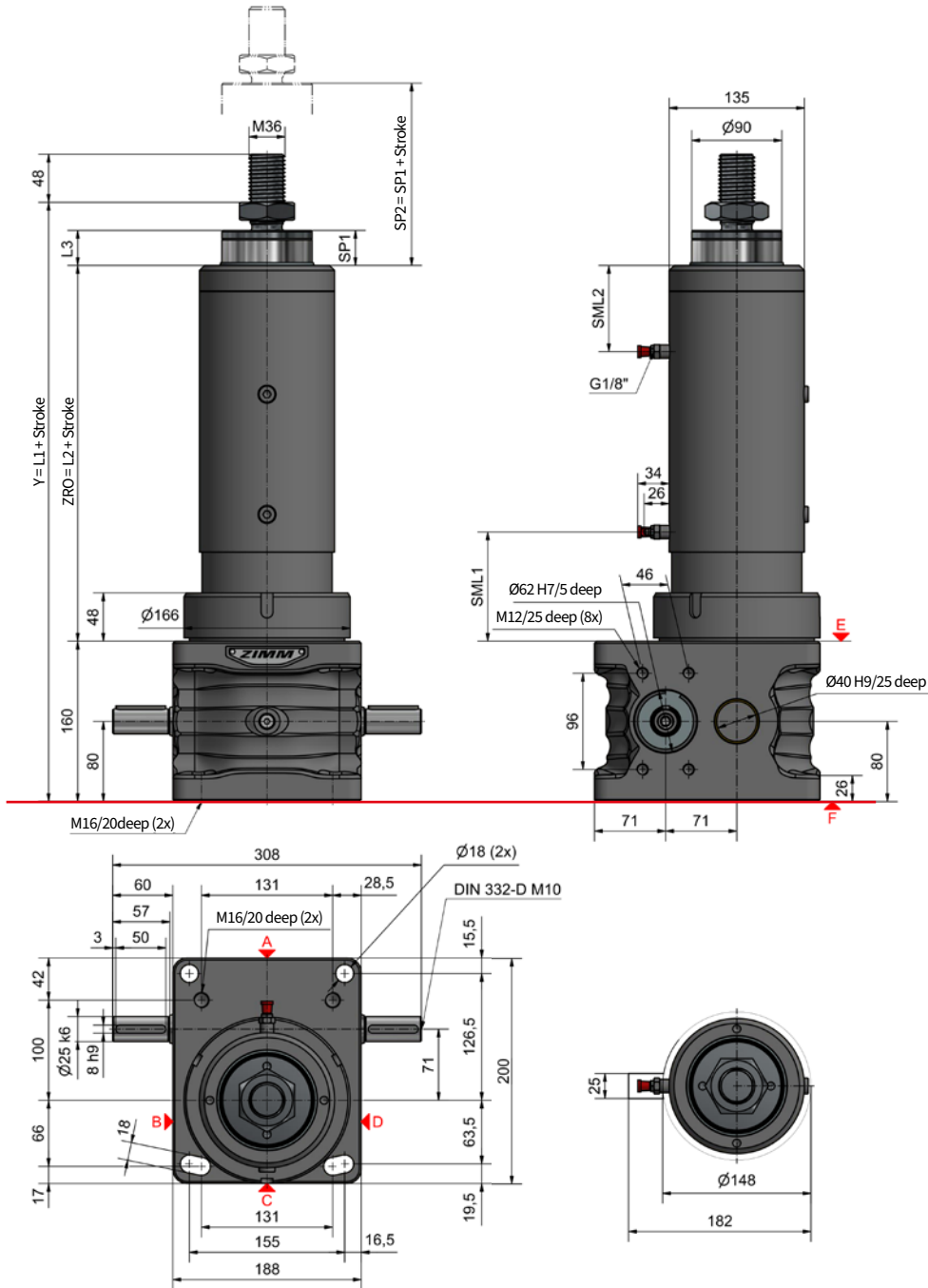


# 100 kN

## ZA-100 | Electromechanical actuators



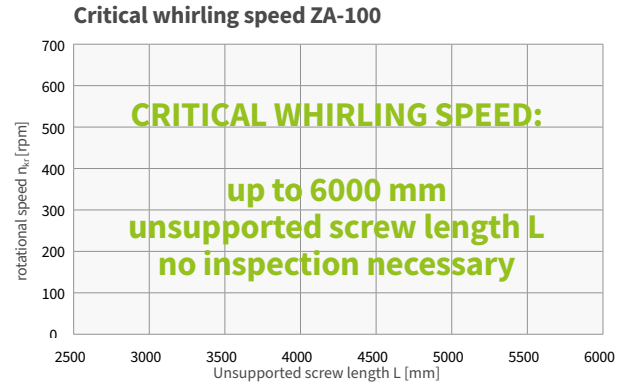
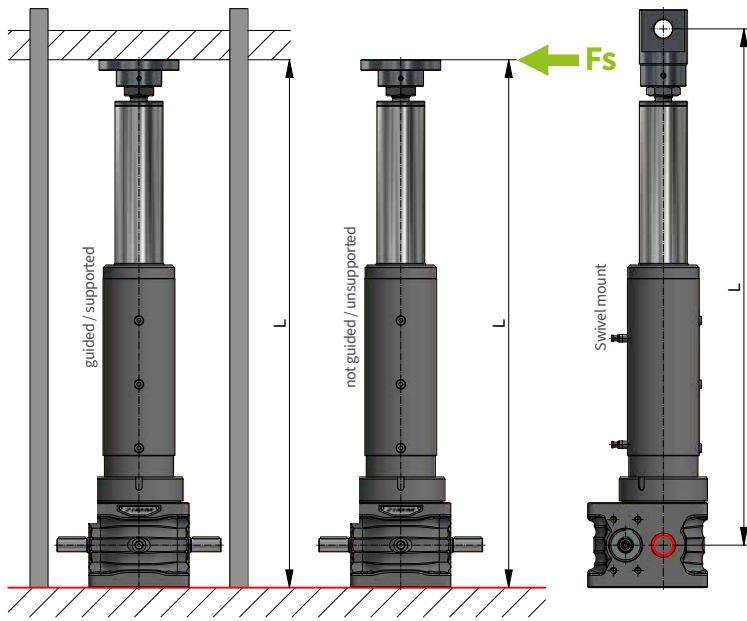
# 100 kN

### Length calculations

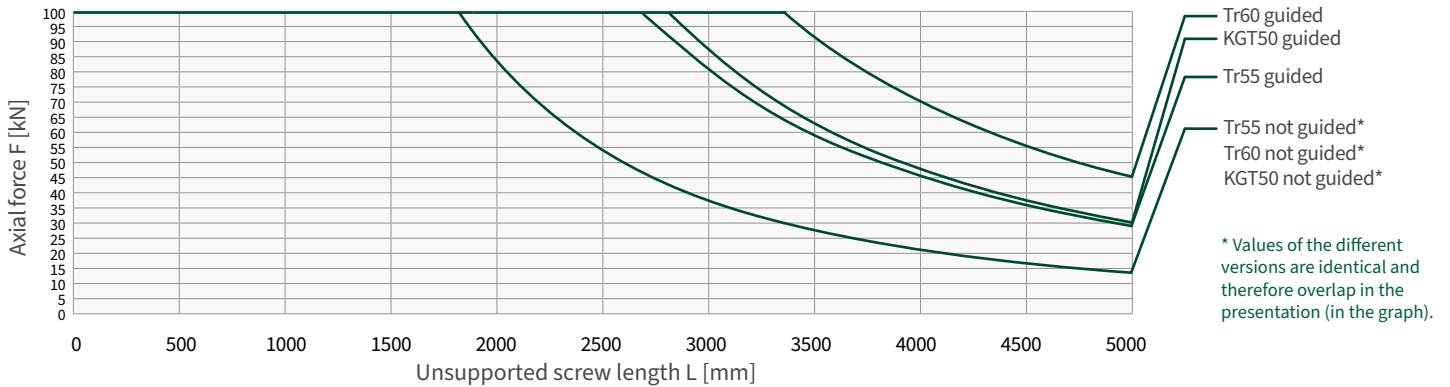
	Standard TR	SIFA TR	KGT50x10	KGT50x20
L1	506 mm	540 mm	<b>on request</b>	
L2	285 mm	319 mm		
L3	33 mm	33 mm		
SP1	33 mm	33 mm		
SML1	99 mm	133 mm		
SML2	186 mm	186 mm		

# Technical information

## ZA-100 | Critical buckling force & critical whirling speed



### Critical buckling force ZA-100



### Dynamic lateral force Fs (max.)

Fully extended L [mm]	max. Fs [N] (dynamic)	
	Standard	Increased**
600	920	2630
700		2580
800		2220
900		1950
1000		1720
1200		1400
1500		1060
2000	740	
2500	520	
3000	380	

For tensile loads in conjunction with lateral forces, the permissible load is limited to 60% of the nominal load (max. tensile force ZA-100 = 60kN). Part-turn actuator excluded from this limitation.

For compressive loads, the buckling diagram must also be observed.

\*\*Only with forked end, rod end and pivot bearing end from size ZE-150