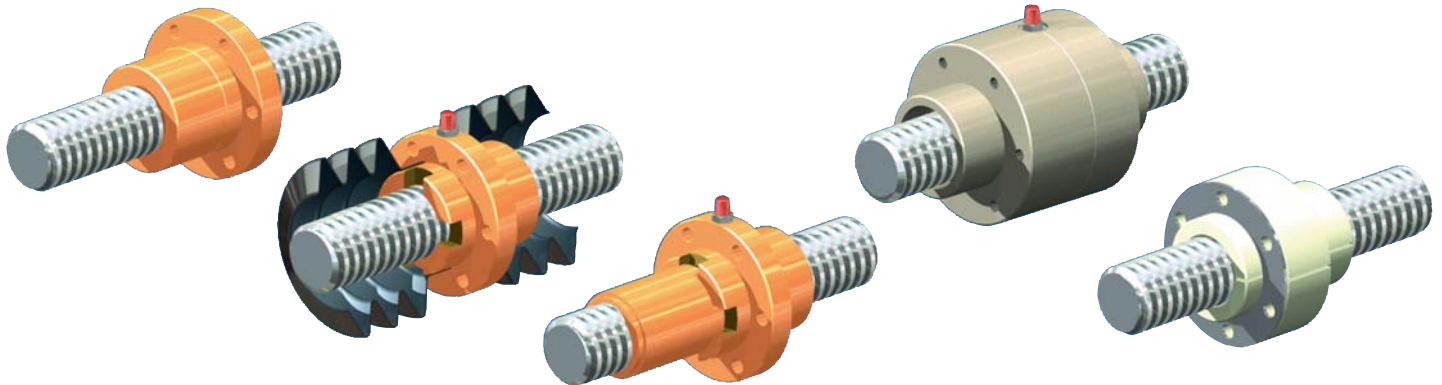


Nuts for rotating version R



Flange nut FM
Standard nut for simple applications

Duplex nut DM
- Bellows can be attached both sides
- Uniform \varnothing on gearbox neck, nut and opposed bearing plate
- Grease nipple or connection to central lubrication or lubricator

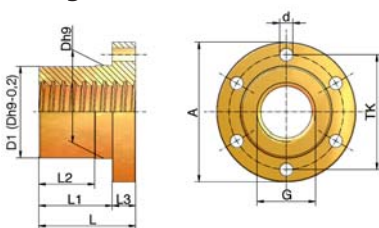
Safety nut SIFA
In combination with duplex nut or self-aligning nut.
For function and application see Sections 2+3

Self-aligning nut PM
- Angular compensation up to max. 3°
- Bellows can be attached both sides
- Uniform \varnothing on gearbox neck, nut and opposed bearing plate
- Grease nipple or connection to central lubrication or lubricator

Greaseless nut FFDM
- Specially suitable for dry running (such as textiles, foodstuffs, chemicals,...)
- Bellows can be attached both sides
- Reinforced with a stainless steel washer



Flange nut Z-..-FM



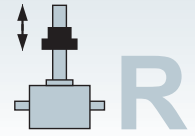
Part no.	G	D1* Dh9	TK	A	d (6x)	L	L1	L2	L3	kg
GSZ-2-FM	Tr 16x4	28	38	48	6	35	23	15	12	0.25
Z-5-FM	Tr 18x4	28	38	48	6	35	23	15	12	0.23
Z-10-FM	Tr 20x4	32	45	55	7	44	32	24	12	0.35
Z-25-FM	Tr 30x6	38	50	62	7	46	32	24	14	0.41
Z-35/50-FM	Tr 40x7	63	78	95	9	66	50	38	16	1.71

Identical to the previous MSZ type
Material: 2.1090.01 (RG7 bronze)
Quality: 7H DIN 103
Right-handed (left-handed, double-pitch on request)

*D1=Dh9-0.2 mm

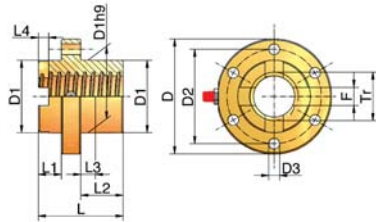
Option: Plastic nut
GSZ-2-FM-K
Material: High-performance polymer





Nuts for rotating version R

Duplex nut Z...-DM



Part no.	Tr	D	D1	D2	D3	L	L1	L2	L3	L4	F	kg
GSZ-2-DM	Tr 16x4	49	26	40 ²⁾	5.5 ²⁾	45	13	20	8	6	6	0.3
Z-5-DM ¹⁾	Tr 18x4	52	29	40	6	45	13	20	8	6	6	0.3
Z-10-DM ¹⁾	Tr 20x4	68	39	54	7	45	13	20	8	6	8	0.57
Z-25-DM ¹⁾	Tr 30x6	79	46	61	7	50	13	23	8	7	12	0.8
Z-35/50-DM ¹⁾	Tr 40x7	95	60	78	9	70	18	36	12	8.5	15	1.54
Z-100-DM	Tr 55x9	130	85	108	11	90	18	54	18	10	20	4.1
Z-150-DM	Tr 60x9	140	90	116	13	115	20	75	20	10	20	5.3
Z-250-DM ¹⁾	Tr 80x16	185	120	153	17	140	25	85	30	14	25	12.2
Z-350-DM ¹⁾	Tr 100x16	230	145	189	23	160	25	100	35	14	24	21.6
Z-500-DM ¹⁾	Tr 120x16	255	170	214	23	180	30	110	40	14	30	30.5
Z-750-DM	Tr 140x20	289	200	252	23	220	30	140	50	18	30	58.3
Z-1000-DM ¹⁾	Tr 160x20	350	250	300	26	320	50	210	70	18	35	155

¹⁾Compatible with the previous MSZ type; ²⁾only 4 holes \varnothing 5.5 mm

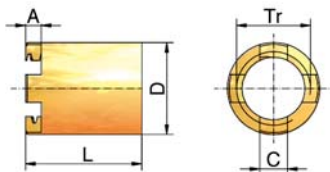
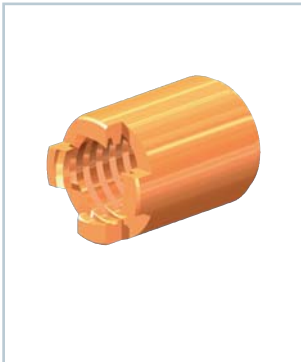
Material: 2.1090.01 (RG7 bronze); quality: 7H DIN 103

Right-handed (left-handed, double-pitch on request)

Threaded grease nipple, up to Z-50 G1/8", from Z-100 G1/4"

Safety nut Z...-SIFA-R

see also Sections 2+3



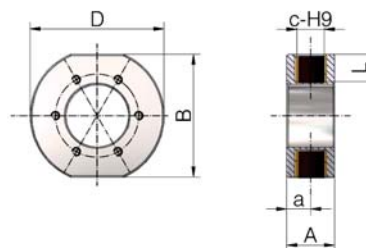
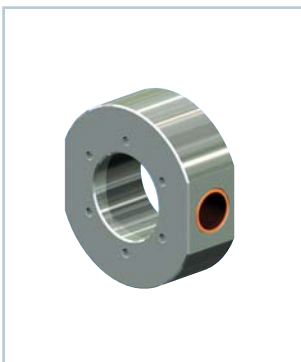
Part no.	Tr	A	C	D	L	kg
GSZ-2-SIFA-R	Tr 16x4	6	6	22	28	0.05
Z-5-SIFA-R ¹⁾	Tr 18x4	6	6	24	28	0.05
Z-10-SIFA-R ¹⁾	Tr 20x4	6	8	28	42	0.11
Z-25-SIFA-R ¹⁾	Tr 30x6	7	12	38	47.5	0.20
Z-35/50-SIFA-R ¹⁾	Tr 40x7	8.5	15	50	67	0.46
Z-100-SIFA-R	Tr 55x9	10	20	65	87	1.10
Z-150-SIFA-R	Tr 60x9	10	20	70	100	1.20
Z-250-SIFA-R ¹⁾	Tr 80x16	14	25	100	115	3.30
Z-350-SIFA-R ¹⁾	Tr 100x16	14	24	120	115	4.07
Z-500-SIFA-R ¹⁾	Tr 120x16	14	30	135	128	6.02
Z-750-SIFA-R ¹⁾	Tr 140x20	18	30	170	151	13.8
Z-1000-SIFA-R ¹⁾	Tr 160x20	18	35	190	186	19.8

¹⁾Compatible with the previous MSZ type

Material: RG7

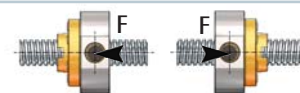
Cardan adapters DMA

for duplex nuts DM
see pages 154, 159



Part no.	B	D	c-H9	L	A	a	kg
Z-5-DMA	72	78	16	15	30	15	1.0
Z-10-DMA	72	78	16	15	30	15	0.9
Z-25-DMA	90	98	20	20	36	18	1.4
Z-35-DMA	100	116	28	15	46	23	2.3
Z-50-DMA	100	116	30	15	46	23	2.3
Z-100-DMA	140	156	40	25	60	30	4.8
Z-150-DMA	145	160	50	25	76	38	6.8
Z-250-DMA	185	206	60	30	90	45	12.7

Material: Steel, corrosion-resistant; pivot bearing: Bronze, PTFE coated

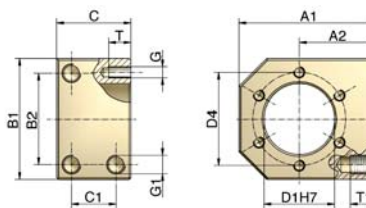
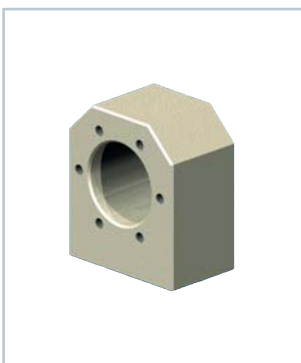


Main direction of loading

Select the main direction of loading so that tensile loads on the nut are avoided

Driving flange TRMFL

for flange nut Z...-FM



Part no.	for FM	A1	A2max*	A2min*	B1	B2
TRMFL-18x4**	Tr 18x4**	60	35.0	25.0	50	34
TRMFL-20x4	Tr 20x4	68	37.5	29.0	58	39
TRMFL-30x6	Tr 30x6	75	42.5	32.5	65	49
TRMFL-40x7	Tr 40x7	120	70.0	50.0	100	76

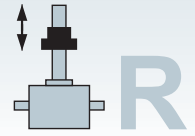
Part no.	C	C1	G1	D1	D4	GxT	kg
TRMFL-18x4	40	24	M8x15	28	38	M5x10	0.7
TRMFL-20x4	40	24	M8x15	32	45	M6x12	0.9
TRMFL-30x6	40	24	M10x15	38	50	M6x12	1.1
TRMFL-40x7	65	41	M14x25	63	78	M8x14	4.5

* Supplied ex-works with size A2max.

Can be machined by the customer to A2min.

** Suitable also for GSZ-2-FM (Tr 16x4)

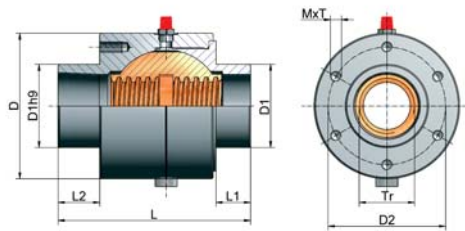
Material: steel, corrosion-resistant



Nuts for rotating version R



Self-aligning nut Z-...-PM



Advantage

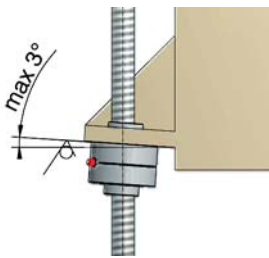
- Angular compensation up to $\pm 3^\circ$
- Grease nipple or connection thread to central lubrication
- Bellows can be connected

Application:

(Welded) fabrications often exhibit angular errors, which lead to rapid wear of the trapezoidal screw nuts. The self-aligning nut PM can compensate small angular errors on the attachment face up to maximum $\pm 3^\circ$. A large grease reservoir increases the maintenance intervals and extends the service life.

CAUTION:

Self-aligning nuts cannot compensate parallelism errors between screws or between screws and guides. Take care to ensure precise alignment. The attachment faces for the gearboxes must therefore be exactly at right angles to the guides.



Part no.	Thread Tr d x P	D	D1	D2
Z-5-PM ¹⁾	Tr 18x4	52	29	40
Z-10-PM ¹⁾	Tr 20x4	74	39	60
Z-25-PM ¹⁾	Tr 30x6	88	46	70
Z-35/50-PM ¹⁾	Tr 40x7	105	60	85
Z-100-PM	Tr 55x9	148	85	120
Z-150-PM	Tr 60x9	165	90	125
Z-250-PM	Tr 80x16	225	120	170
Z-350-PM	Tr 100x16	280	145	215

Part no.	M x T	L	L1	L2	LS ²⁾	kg
Z-5-PM ¹⁾	M5x12	78	13	21	123	0.66
Z-10-PM ¹⁾	M6x12	83	13	24	128	1.49
Z-25-PM ¹⁾	M6x12	95	13	27	158	2.36
Z-35/50-PM ¹⁾	M8x16	129	15	30	212	5.04
Z-100-PM	M10x20	190	15	45	298	15.1
Z-150-PM	M12x24	210	15	45	330	21.9
Z-250-PM	M16x32	224	20	40	369	47.0
Z-350-PM	M20x40	275	20	40	455	94

¹⁾Identical to the previous MSZ type

²⁾Overall length PM incl. SIFA safety nut

Trapezoidal screw

DIN 103, quality 7H, right-handed

Screwed grease nipple

Thread 1/8" / 1/4" from Tr 40x7

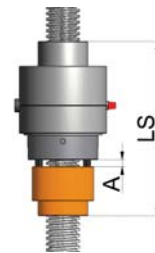
Material

Housing: GG 25 (grey cast iron)

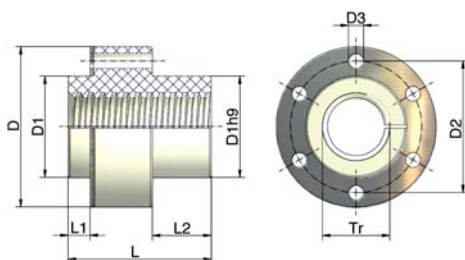
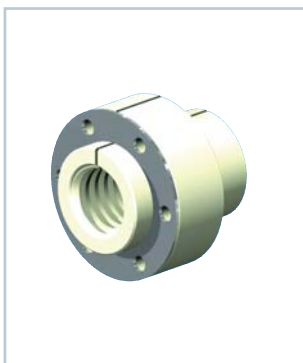
Spherical nut: Rg7 (bronze)

Safety nut SIFA

is available for the self-aligning nut on request.



Greaseless nut Z-...-FFDM



Part no.	Tr	D	D1 ³⁾	D2	D3	L	L1	L2	kN max. Load ²⁾	kg
Z-5-FFDM ¹⁾	Tr 18x4	52	29	40	6	53	11	20	1	0.07
Z-10-FFDM ¹⁾	Tr 20x4	68	39	54	7	53	11	20	2	0.12
Z-25-FFDM ¹⁾	Tr 30x6	79	46	61	7	59	11	23	5	0.18
Z-35/50-FFDM ¹⁾	Tr 40x7	95	60	78	9	85	13	35	7	0.38

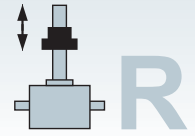
Nut material: Plastic, high-performance polymer
Steel ring material: stainless steel

Quality: 7H DIN 103, right-handed

¹⁾Identical to the previous MSZ - FFDM type

²⁾As approximate value, depending on the stroke speed and ambient temperature

³⁾Connection bore for D1 +0.2 mm for thermal expansion



For rotating screw R



Trapezoidal screw Z-.-R-Tr

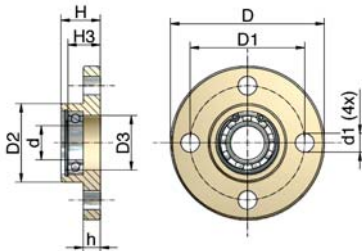


Material: C35 or Ck45 (stainless steel on request)
 Quality: DIN 103, 7e rolled, from Tr 80 whirled
 Pitch accuracy 0.2 mm / 300 mm
 Right-handed (double-pitch, left-handed on request)

Part no.	Tr	Ø	LA	kg/m
GSZ-2-R-Tr	Tr 16x4	10j6	12	1.2
Z-5-R-Tr	Tr 18x4	12j6	15	1.6
Z-10-R-Tr	Tr 20x4	15j6	20	2.0
Z-25-R-Tr	Tr 30x6	20j6	25	4.5
Z-35-R-Tr	Tr 40x7	25j6	30	8.0
Z-50-R-Tr	Tr 40x7	25j6	30	8.0
Z-100-R-Tr	Tr 55x9	40j6	45	16
Z-150-R-Tr	Tr 60x9	45j6	55	19
Z-250-R-Tr	Tr 80x16	60j6	75	32
Z-350-R-Tr	Tr 100x16	80j6	100	52
Z-500-R-Tr	Tr 120x16	95j6	120	77
Z-750-R-Tr	Tr 140x20	100j6	120	105
Z-1000-R-Tr	Tr 160x20	130j6	175	139



Opposed bearing plate GLP



Material: Steel, corrosion-resistant
 Hard anodised aluminium (GSZ-2-GLP)
 Up to Z-150 stainless steel bearings
 The ball bearing is already fitted at delivery
 Identical to the previous MSZ type

Part no.	ØD	ØD1	ØD2	ØD3	Ød	Ød1
GSZ-2-GLP	50	40	26	19	10	5.5
Z-5-GLP	65	48	29	20	12	9
Z-10-GLP	80	60	39	28	15	11
Z-25-GLP	90	67	46	32	20	11
Z-35/50-GLP	110	85	60	42	25	13
Z-100-GLP	150	117	85	60	40	17
Z-150-GLP	170	130	90	68	45	21
Z-250-GLP	210	165	120	85	60	26
Z-350-GLP	265	205	145	95	80	26
Z-500-GLP	310	240	170	130	95	38
Z-750-GLP	350	280	200	168	100	6x32

Part no.	h	H	H3	Lager	Si ring	kg
GSZ-2-GLP	6	16	12	61900.2RS	J 22	0.05
Z-5-GLP	7	20	13	61901.2RS	J 24	0.17
Z-10-GLP	8	21	17	6002.2RS	J 32	0.30
Z-25-GLP	10	23	19	61904.2RS	J 37	0.48
Z-35/50-GLP	15	30	22	6005.2RS	J 47	1.05
Z-100-GLP	20	50	35	6008.2RS	J 68	3.10
Z-150-GLP	25	50	31	6009.2RS	J 75	3.70
Z-250-GLP	30	60	50	2x6012.2RS	J 95	6.90
Z-350-GLP	32	65	54	2x6016.2RS	J125	11.50
Z-500-GLP	40	100	60	2x6019.2RS	J145	24.00
Z-750-GLP	40	100	83	2x6020.2RS	J180	32.00

The opposed bearing plate increases the smoothness of operation and the resistance of the screw to buckling.
 Allow 5 mm at the end of the screw for length compensation.

